



SHiFT[®]

MODULUS

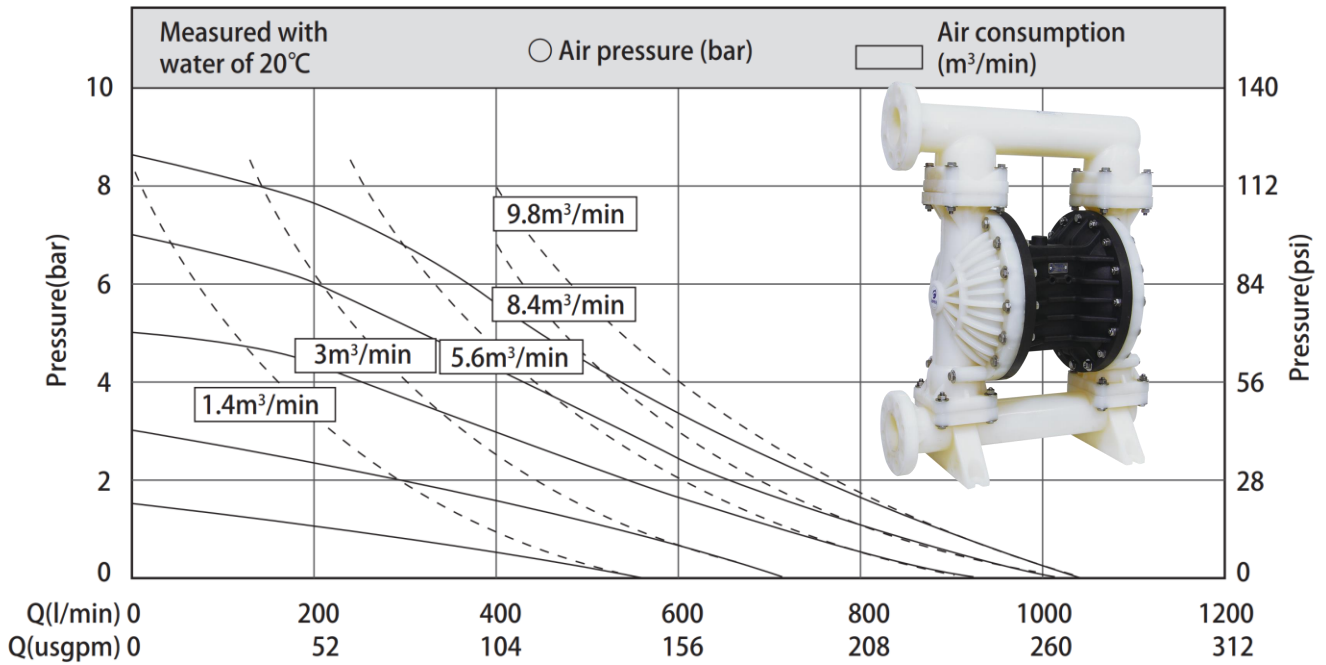
Care and
Maintenance
Manual

M80

Bolted
Plastic
Pumps



Performance Curve



Technical Parameters

Parameter	Unit	Value
Suction Lift - dry	mwc	5
Suction lift - wet	mwc	8
Solids size	mm	9.5
Air inlet	inch	3/4
Max air inlet pressure	bar	8.4

Material of Construction

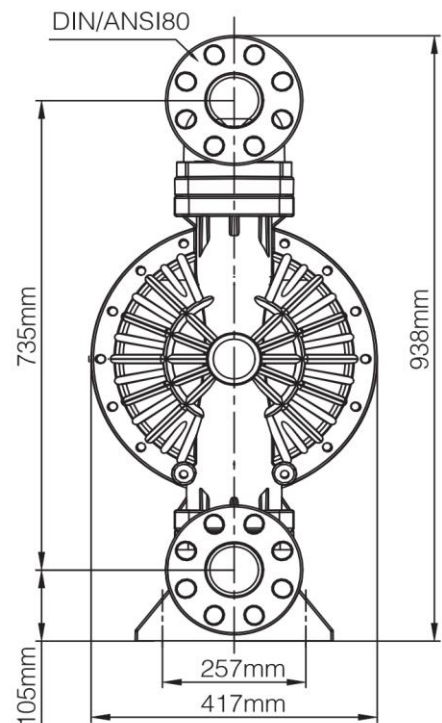
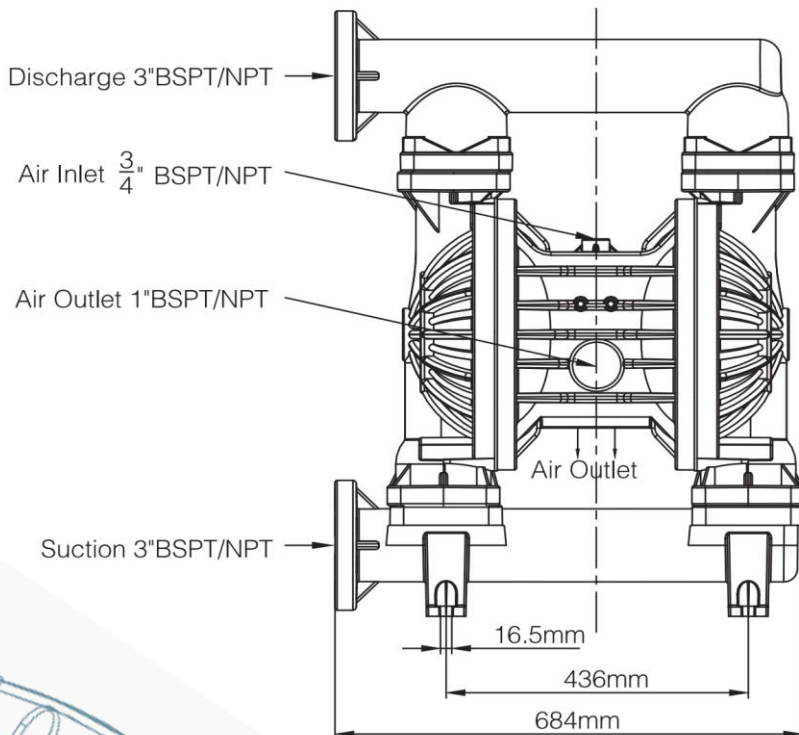
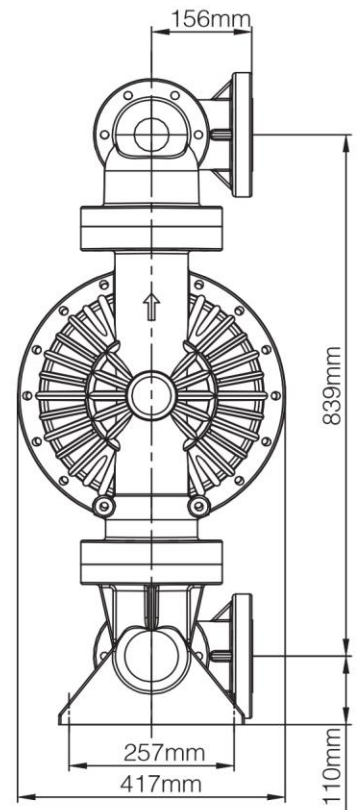
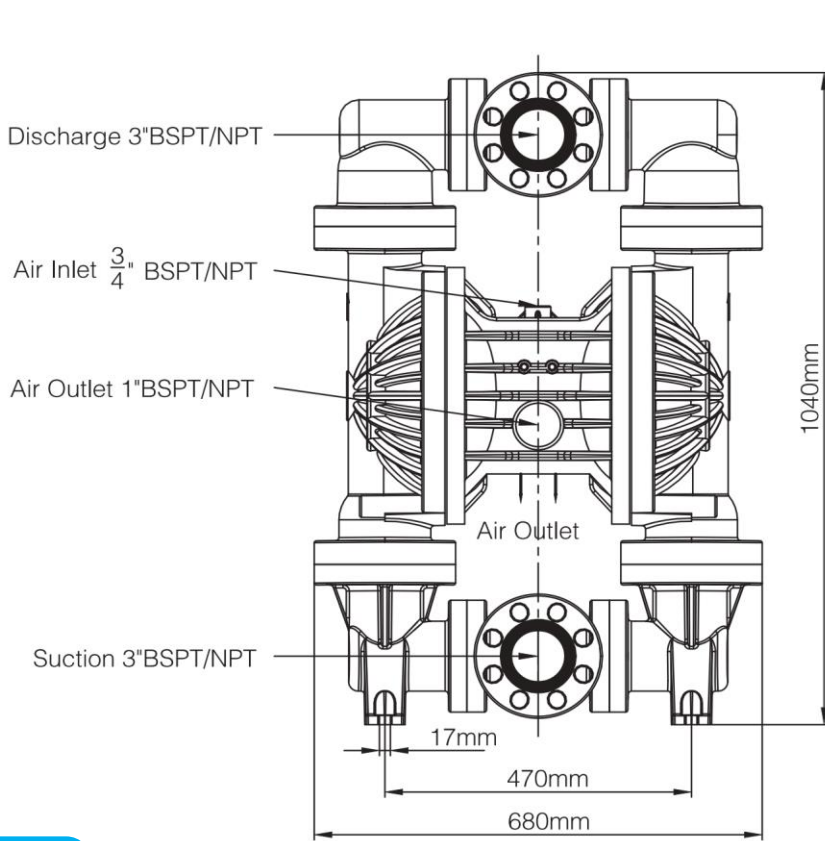
Pump Part	Material
Pump body	PP, PVDF
Diaphragm	Santoprene (ST), Teflon (TF)
Seat	PP, Santoprene (ST), Teflon (TF)
Centre block	PP

Weight

Pump type	Weight
Polypropylene	50kg
PVDF	90kg



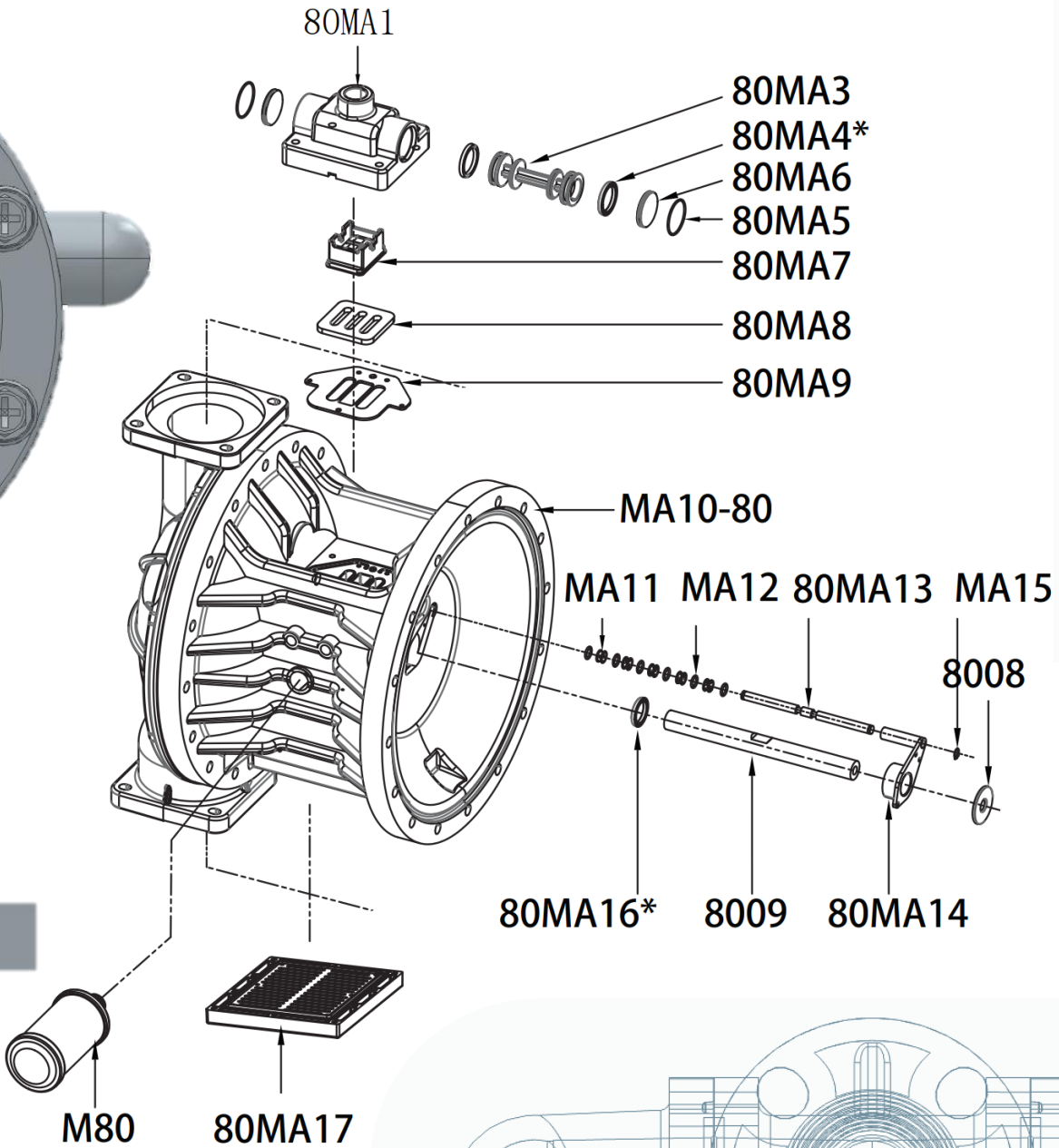
Dimensional Drawings: PP / PVDF



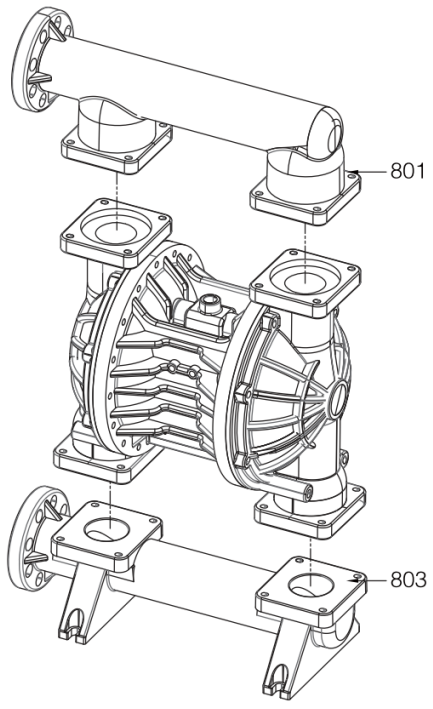
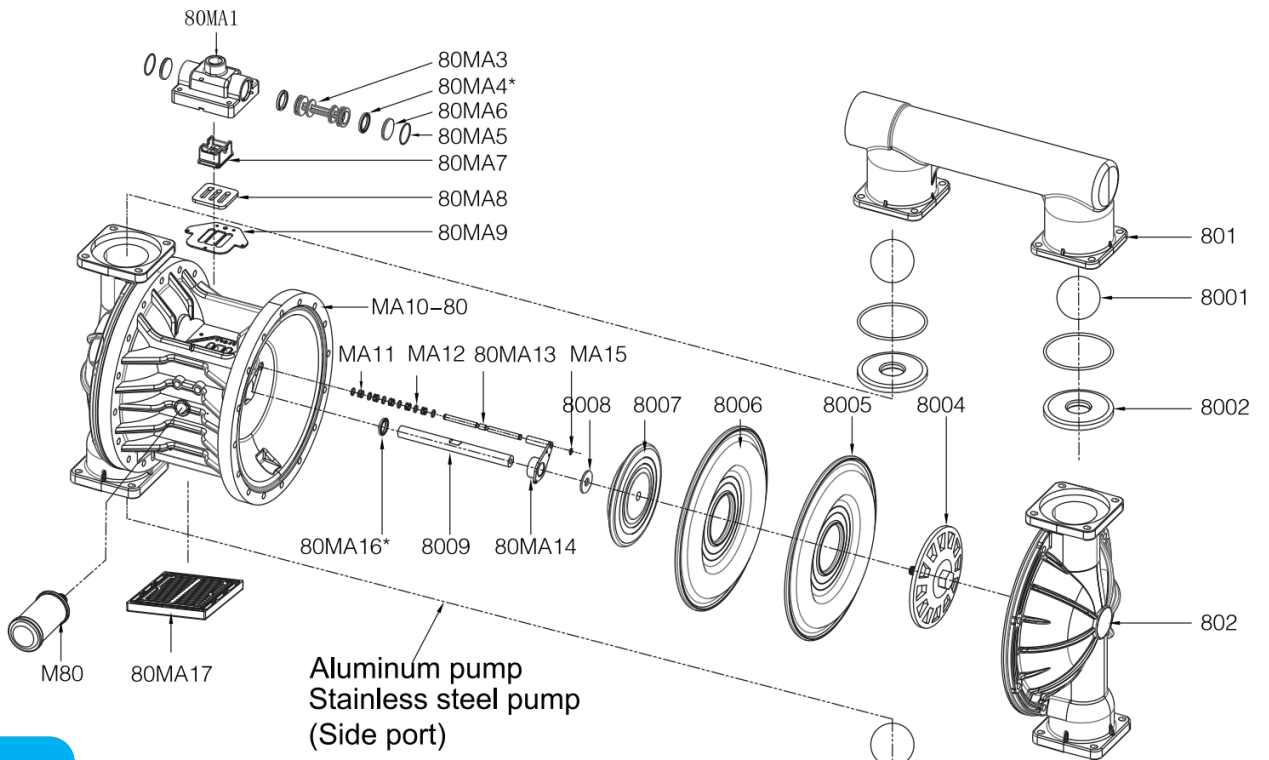
Part Numbers: Poly centre

Part code	Name
80MA1-KV	Air valve housing
80MA3-PM	Piston
80MA4-VT	Piston V-ring
80MA5-VT	Plug O-ring
80MA6-KV	Plug
80MA7-PM	Pilot valve
80MA8-SS	Valve plate
80MA9-ST	Air valve gasket
MA10-80-PP	Centre block

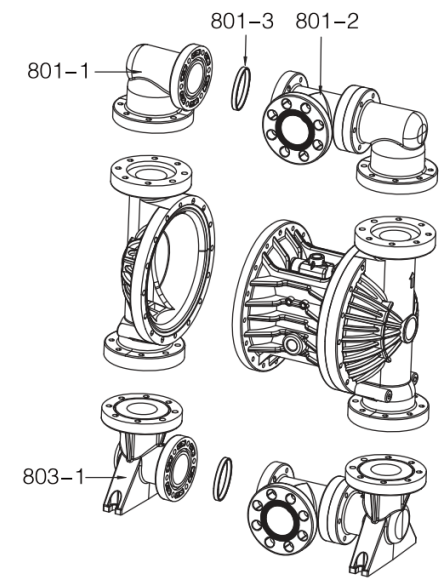
Part code	Name
MA11-PM	Reversing valve
MA12-VT	Shaft O-ring
80MA13-SS	Shaft
80MA14-PM	Locking plate
MA15-SS	Snap ring
80MA16-VT	Rod V-ring
80MA17-PP	Muffler plate
M80-AL	Muffler



Part Numbers: Poly centre



Plastic pump side port



Aluminum pump center port
Stainless steel pump center port
Plastic pump center port

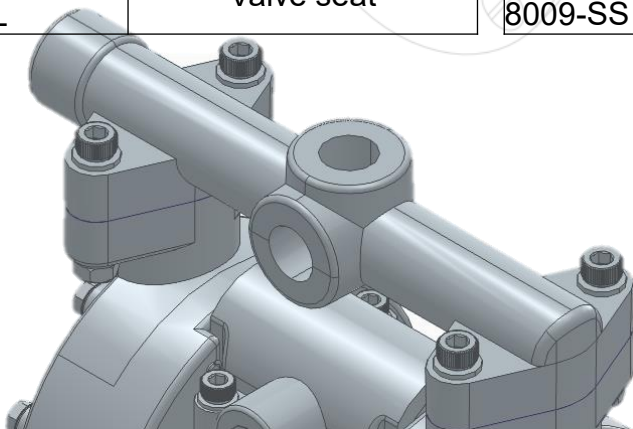
Part Numbers: Poly centre

Part code	Name
80MA1-KV	Air valve housing
80MA3-PM	Piston
80MA4-VT	Piston V-ring
80MA5-VT	Plug O-ring
80MA6-KV	Plug
80MA7-PM	Pilot valve
80MA8-SS	Valve plate
80MA9-ST	Air valve gasket
MA10-80-PP	Centre block

Part code	Name
MA11-PM	Reversing valve
MA12-VT	Shaft O-ring
80MA13-SS	Shaft
80MA14-PM	Locking plate
MA15-SS	Snap ring
80MA16-VT	Rod V-ring
80MA17-PP	Muffler plate
M80-AL	Muffler

Part code	Name
801-SS	Discharge Manifold
801-LL	
801-AL	
801-AC	
801-PP	
801-KV	Fluid chamber
802-SS	
802-LL	
802-AL	
802-AC	
802-PP	Suction Manifold
802-KV	
803-SS	
803-LL	
803-AL	
803-AC	Valve ball
803-PP	
803-KV	
8001-TF	
8001-ST	
8001-HY	Valve seat
8001-BN	
8001-EP	
8001-SS	
8001-LL	
8002-PP	Valve seat
8002-AL	

Part code	Name
8002-TF	Valve seat
8002-ST	
8002-HY	
8002-BN	
8002-EP	
8002-VT	Seat O-ring
8002-SS	
8002-LL	
8003-TF	
8003-BN	
8003-EP	Plate
8003-VT	
8004-KV	
8004-PP	
8004-AL	
8004-SS	Teflon diaphragm
8004-LL	
8005-TF	
8006-ST	
8006-HY	
8006-BN	
8006-EP	
8006-VT	
8007-AL	
8008-SS	Inner plate
8009-SS	Bumper
	Diaphragm Rod



The background of the entire page is a technical line drawing of a complex mechanical assembly, likely a pump or motor. The drawing is rendered in a light blue color and is centered on the page. It shows various components such as a central shaft, bearings, housing, and mounting brackets. The drawing is a cross-sectional view, showing the internal structure of the machine. The top half of the drawing is partially obscured by a dark grey rounded rectangle containing the text 'MODULUS RANGE'.

MODULUS

RANGE

Powered by:  **TAQS**
INDUSTRIES