



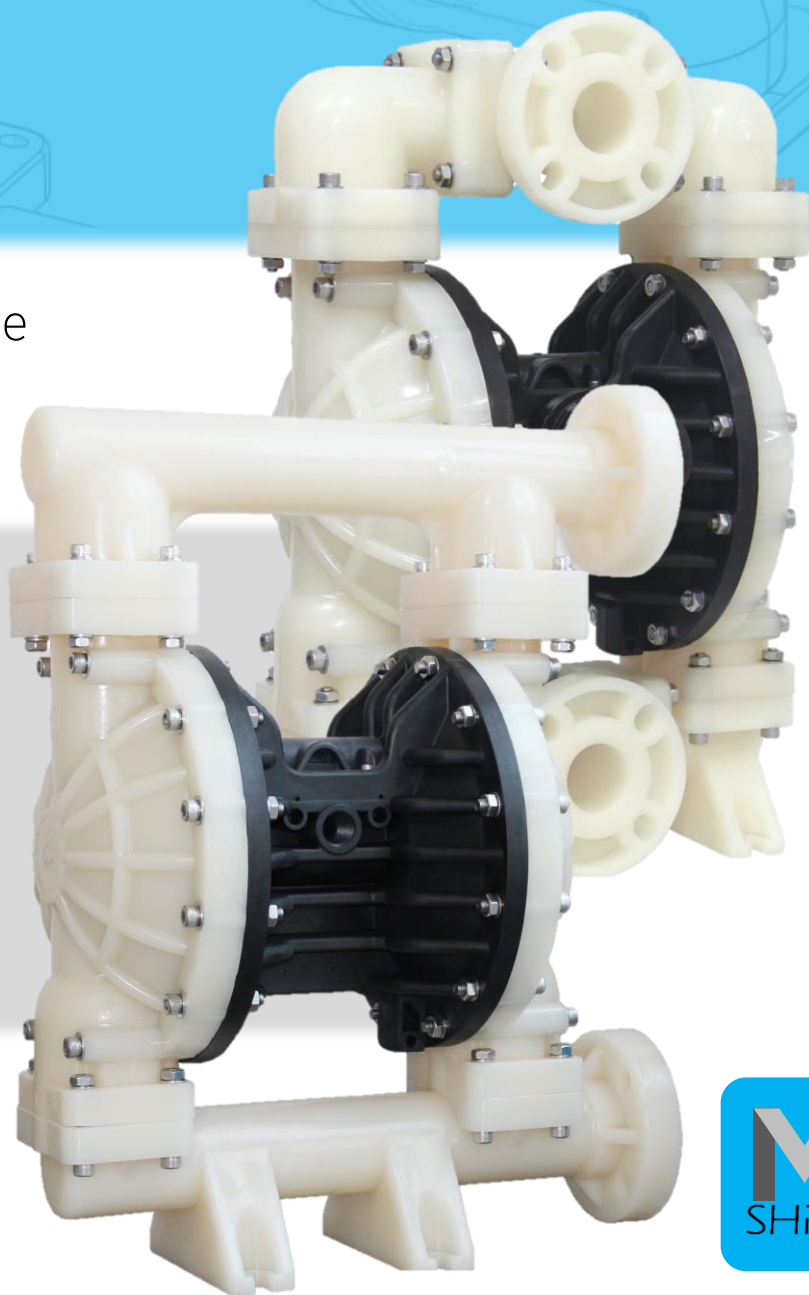
SHiFT[®]

MODULUS

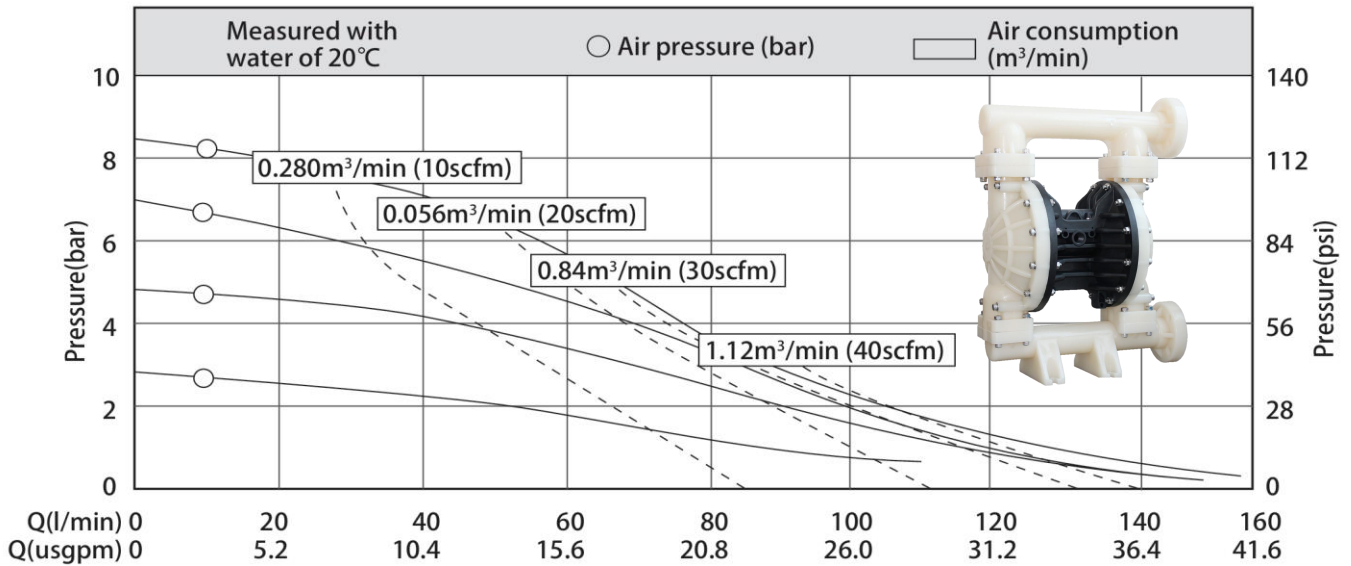
Care and Maintenance
Manual

M25

Bolted
Plastic
Pumps



Performance Curve



Technical Parameters

Parameter	Unit	Value
Suction Lift - dry	mwc	4
Suction lift - wet	mwc	8
Solids size	mm	5
Air inlet	inch	1/2
Max air inlet pressure	bar	8.4

Material of Construction

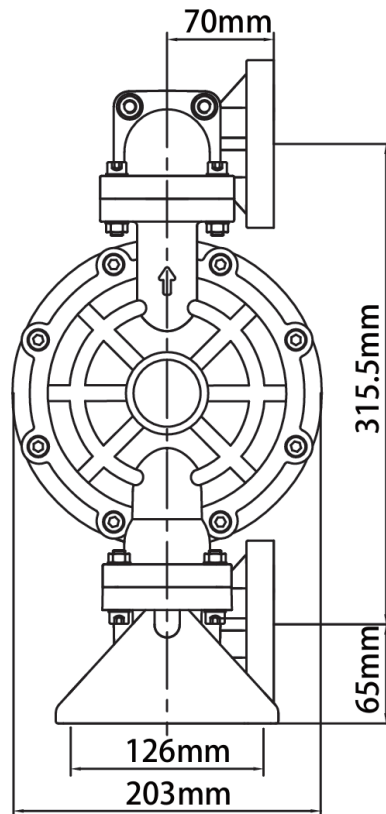
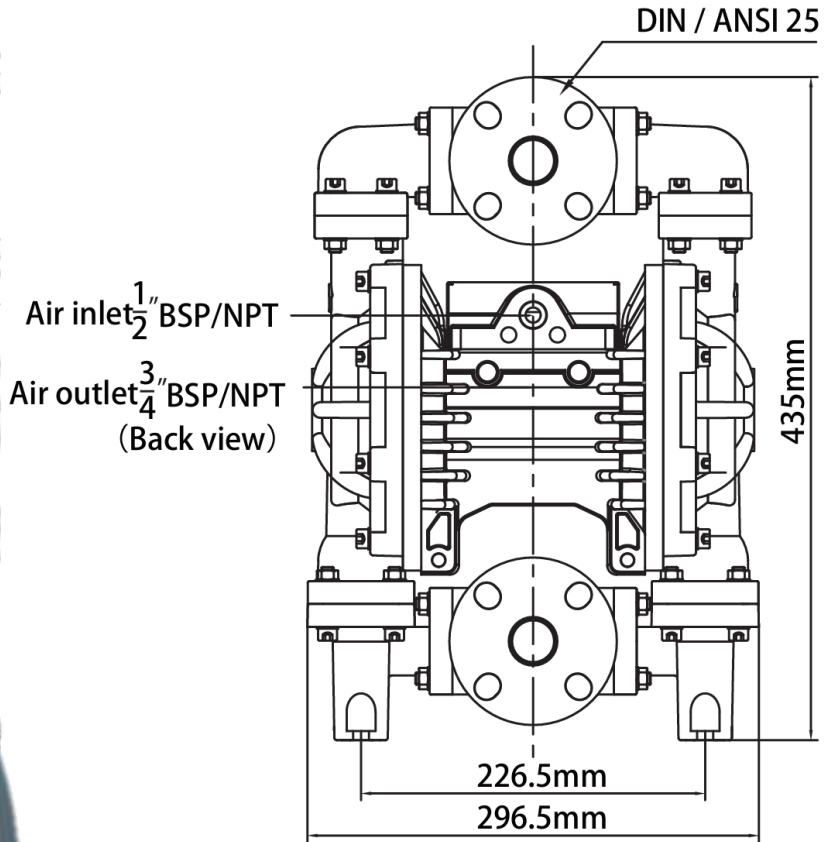
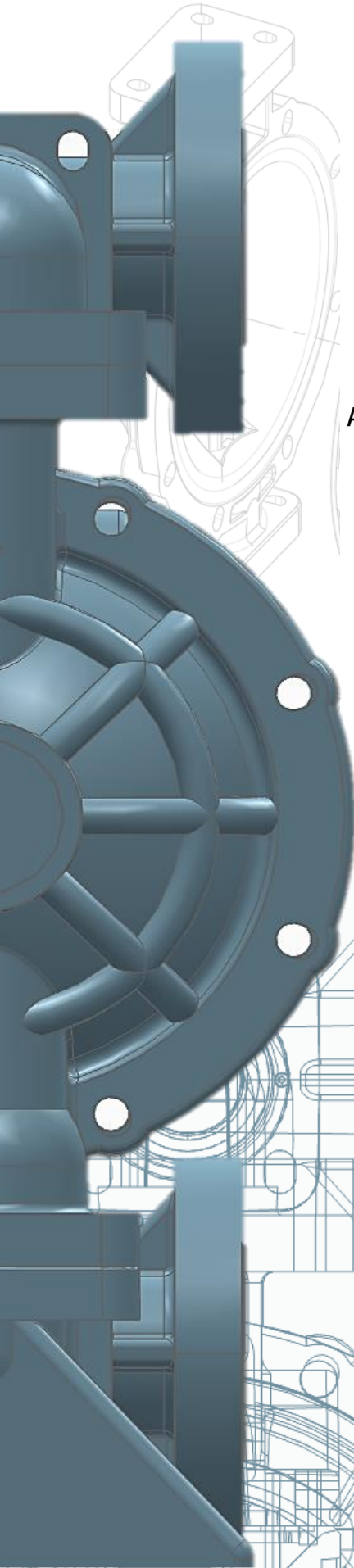
Pump Part	Material
Pump body	PP, PVDF
Diaphragm	Santoprene (ST), Teflon (TF), Hytrel
Seat	PP, PVDF
Centre block	PP

Weight

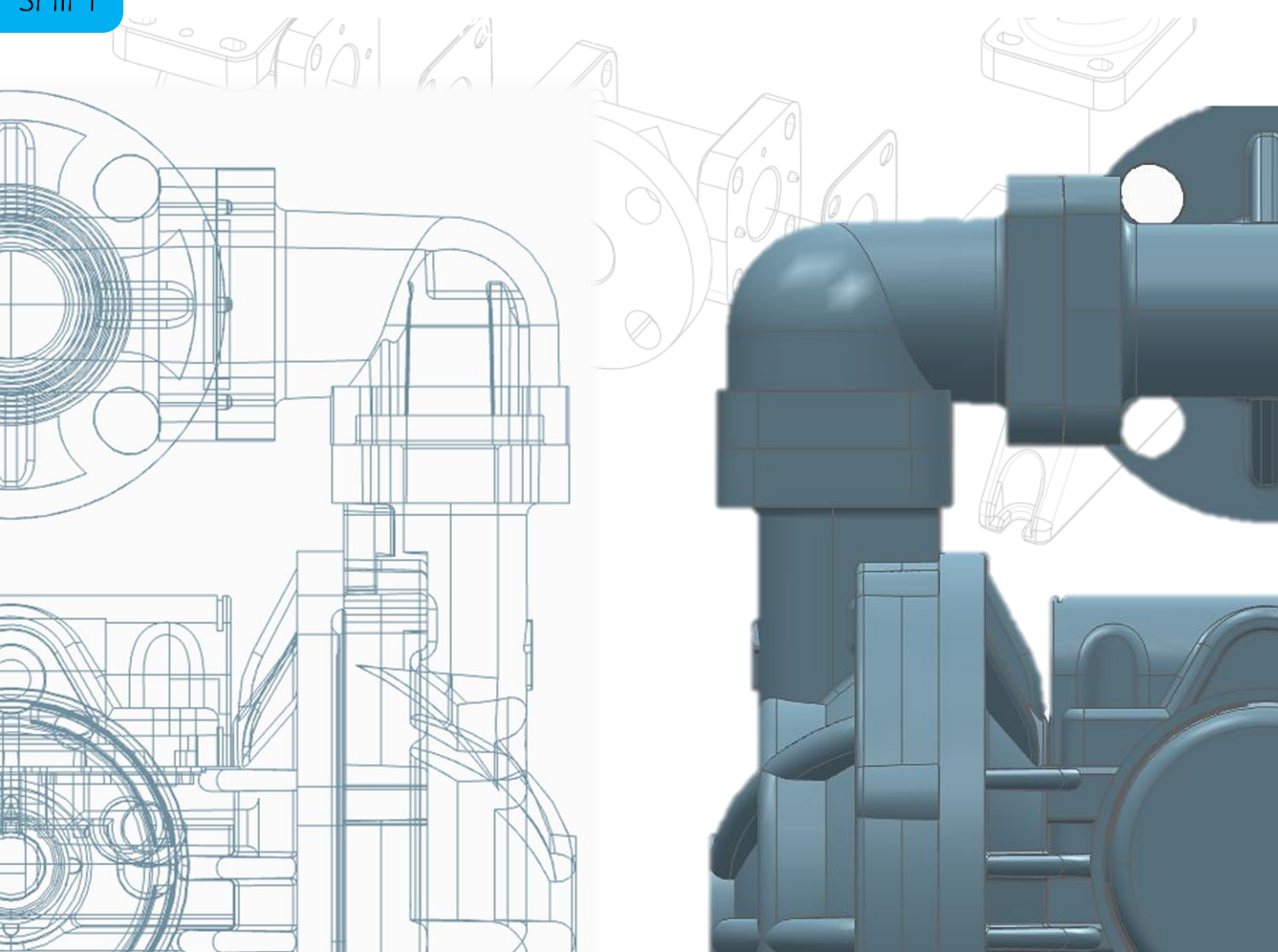
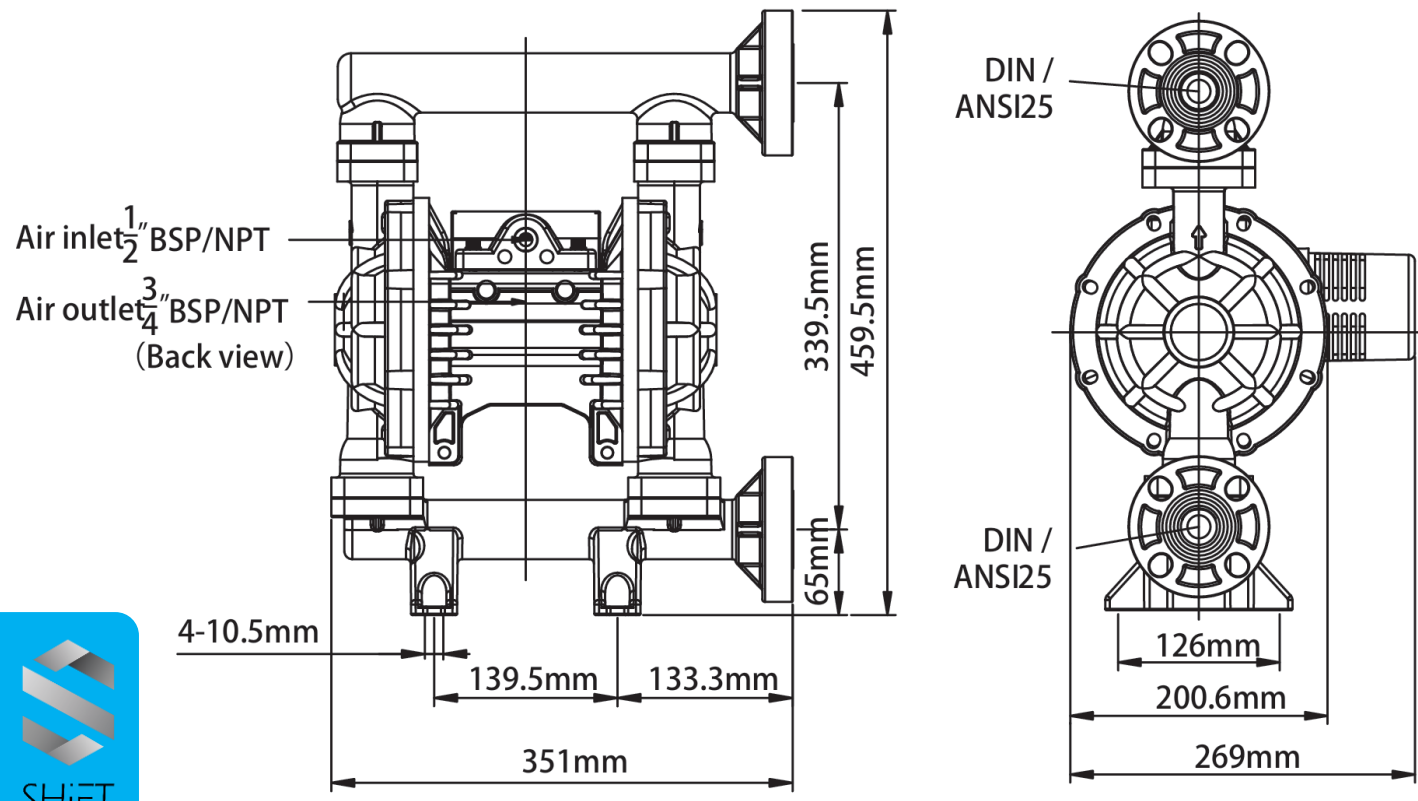
Pump type	Weight
Polypropylene	9kg
PVDF	12kg



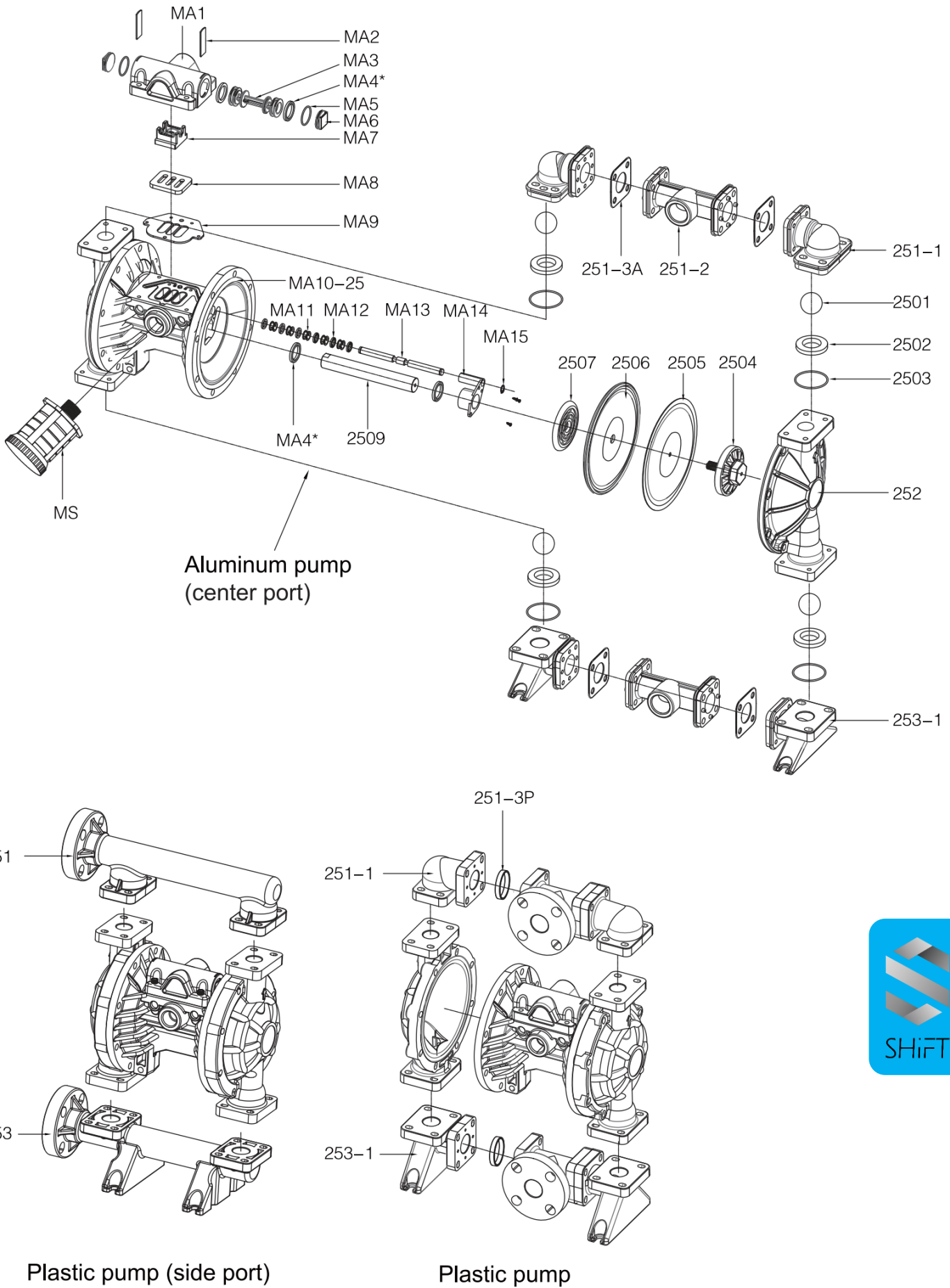
Dimensional Drawings



Dimensional Drawings



Part Numbers



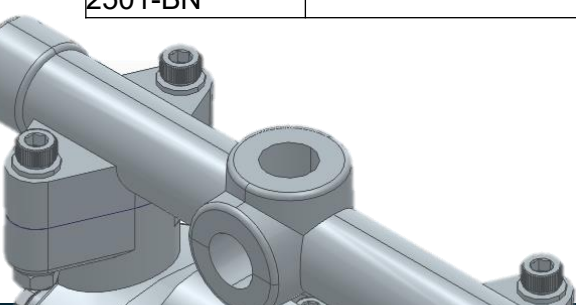
Part Numbers

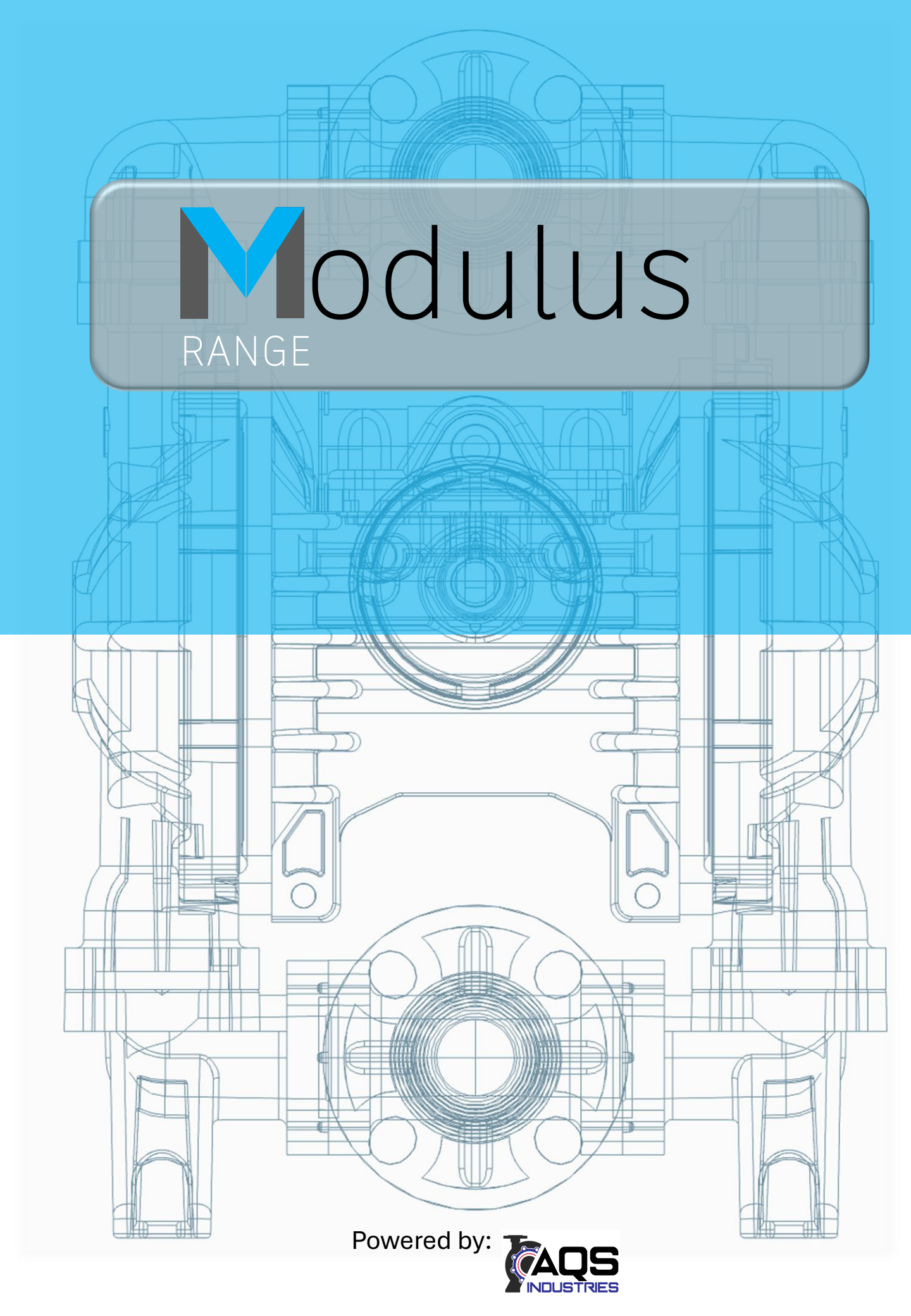
Part code	Name
MA1-KV	Air valve housing
MA2-SS	Plug locking plate
MA3-PM	Piston
MA4-VT	V-ring
MA5-VT	Plug O-ring
MA6-KV	Plug
MA7-PM	Pilot valve
MA8-SS	Valve plate

Part code	Name
MA9-ST	Air valve gasket
MA10-25-PP	Center block
MA11-PM	Reversing valve
MA12-VT	Shaft O-ring
MA13-SS	Shaft
MA14-PM	Rod locking plate
MA15-SS	Snap ring
MS-PP	Muffler

Part code	Name
251-SS	Discharge Manifold
251-LL	
251-PP	
251-KV	
251-1-PP	Upper Elbow
251-1-AL	
251-1-KV	
251-2-PP	TEE
251-2-AL	
251-2-KV	
251-3P-HY	TEE Gasket (Plastic pump)
251-3P-ST	
251-3P-TF	
251-3A-HY	TEE Gasket (AL pump)
251-3A-ST	
251-3A-TF	
253-SS	Suction Manifold
253-LL	
253-PP	
253-KV	
253-1-PP	Bottom Elbow
253-1-AL	
253-1-KV	
252-KV	Fluid chamber
252-PP	
252-AL	
252-SS	
252-LL	
2501-TF	Valve ball
2501-ST	
2501-HY	
2501-BN	

Part code	Name
2501-EP	Valve ball
2501-SS	
2501-LL	
2501-CM	Valve seat
2502-PP	
2502-AL	
2502-TF	
2502-ST	
2502-HY	
2502-BN	
2502-EP	
2502-VT	
2502-SS	
2502-LL	Seat O-ring
2503-TF	
2503-BN	
2503-EP	Plate
2503-VT	
2504-KV	
2504-PP	Teflon diaphragm
2504-AL	
2504-SS	
2504-LL	
2505-TF	Rubber diaphragm
2506-ST	
2506-HY	
2506-BN	
2506-EP	
2506-VT	Inner plate
2506-GE	
2507-AL	
2509-SS	Diaphragm Rod



The background of the entire page is a technical line drawing of a complex mechanical assembly, likely a pump or motor. The drawing is rendered in a light blue color and is centered on the page. It shows various components such as a central shaft, bearings, housing, and mounting brackets. The drawing is a cross-sectional view, showing the internal structure of the machine. The top half of the drawing is partially obscured by a grey rounded rectangle containing the product name.

M Modulus

RANGE

Powered by:  **AQSI**
INDUSTRIES