



SHiFT[®]

MODULUS

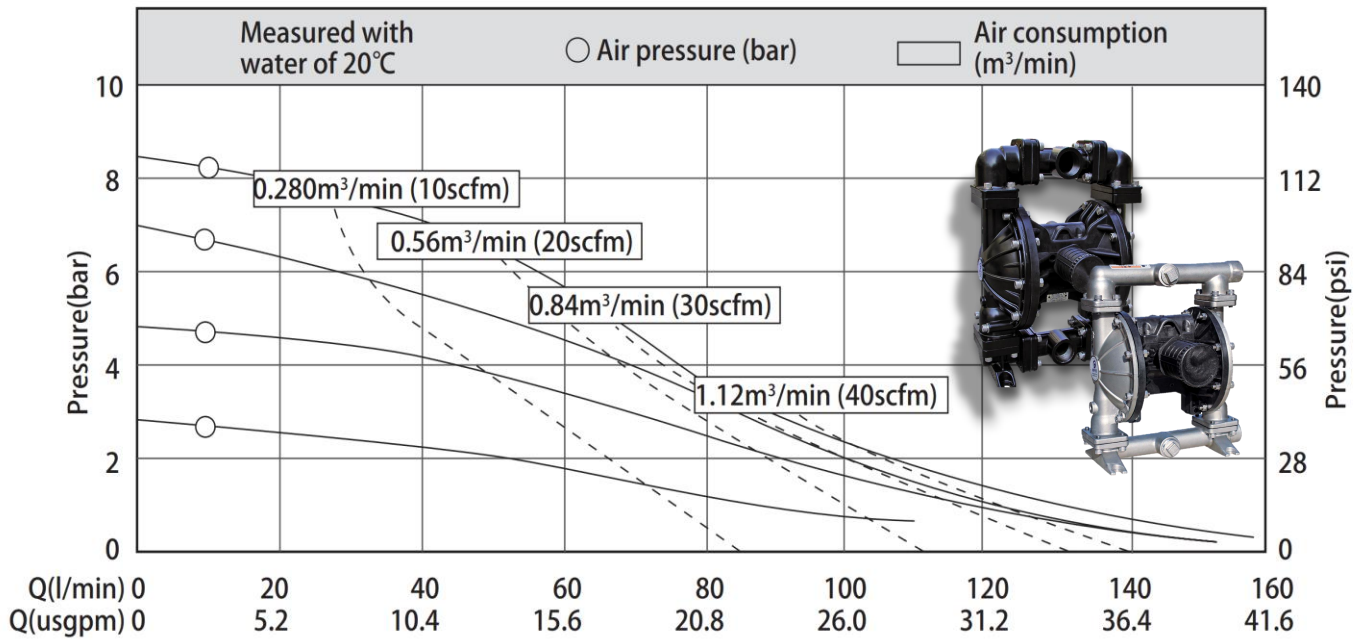
Care and Maintenance
Manual

M25

Bolted
Metal
Pumps



Performance Curve



Technical Parameters

Parameter	Unit	Value
Suction Lift - dry	mwc	4
Suction lift - wet	mwc	8
Solids size	mm	4
Air inlet	inch	1/2
Max air inlet pressure	bar	8.4

Material of Construction

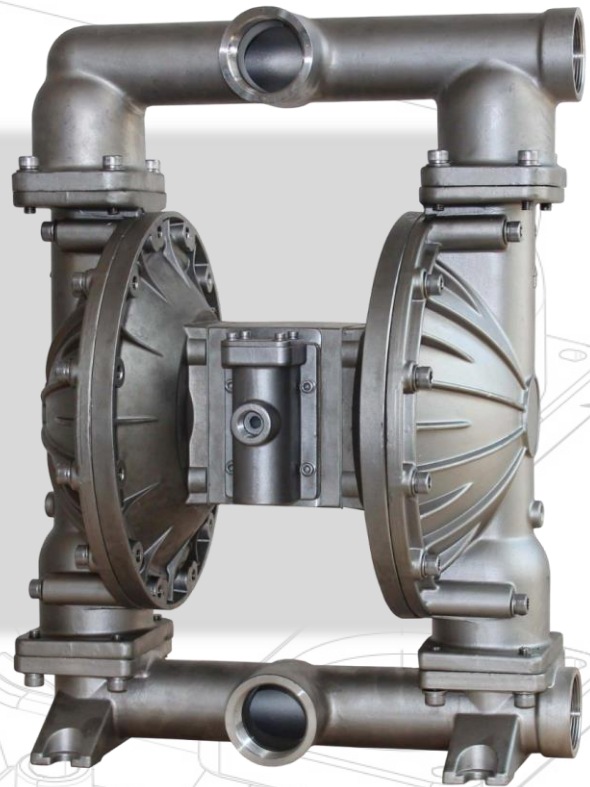
Pump Part	Material
Pump body	AL, SS
Diaphragm	Santoprene (ST), Teflon (TF), Hytrel
Seat	Santoprene (ST), Teflon (TF), Hytrel
Centre block	PP

Weight

Pump type	Weight
Aluminium	10kg
Stainless	16kg



Speciality Stainless Centre Bolted Pumps



Three-section connection

The centre body is connected by three section high strength bolts, which reduces the difficulty maintenance.

Modular air valve

The air valve is external for convenient installation and maintenance.

Bolted design

The pump is bolted with high strength bolts to prevent leakage under pressure.

Stainless construction

The full centre section is constructed in stainless offering chemical resistance and rigid

Built-in buffer chamber

Energy saving and noise reduction, preventing icing, with reduced exhaust pressure and noise.

Unbalance air valve spool

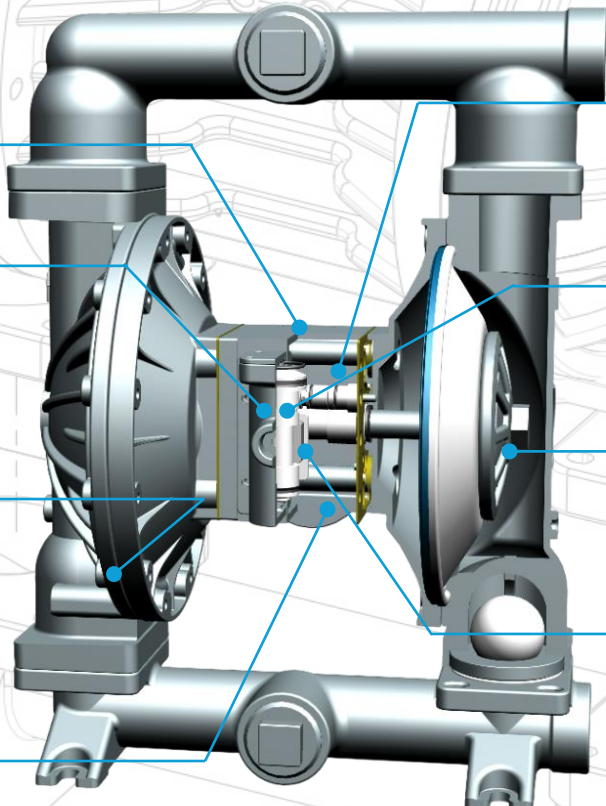
The spool has always got air pressure on the small head to prevent centralization.

One piece outer plate

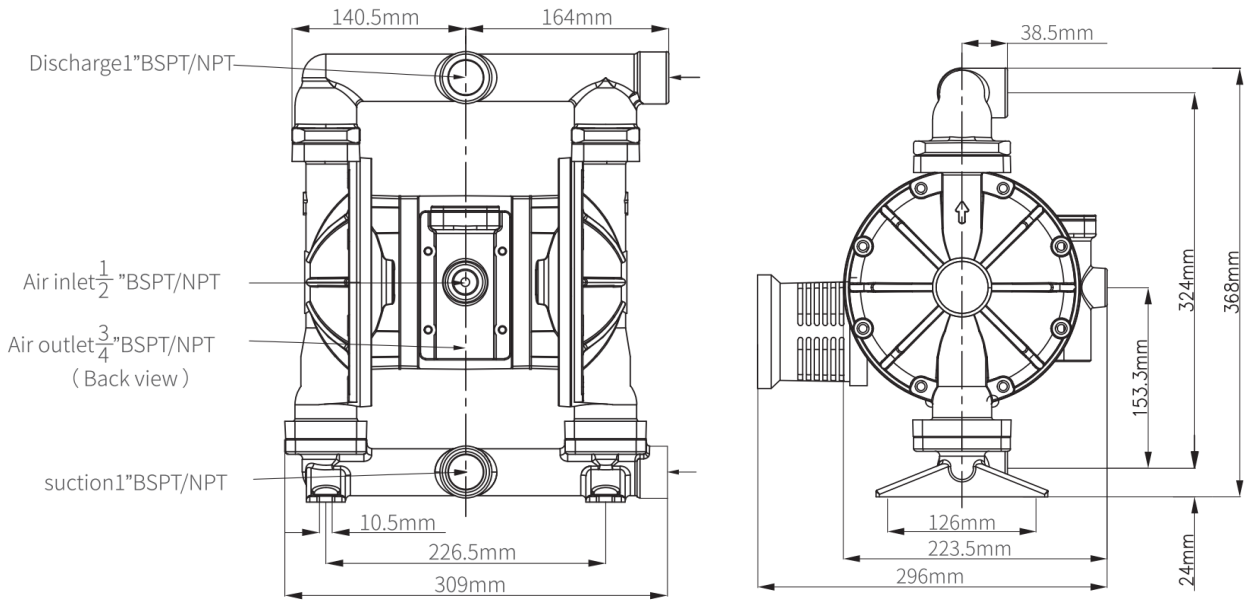
The outer plate has an oring groove to seal on diaphragm to prevent leakage.

Double ceramic dynamic seal

Provides high wear resistance and self sealing to maximize efficacy.



Dimensional Data: Stainless Centre



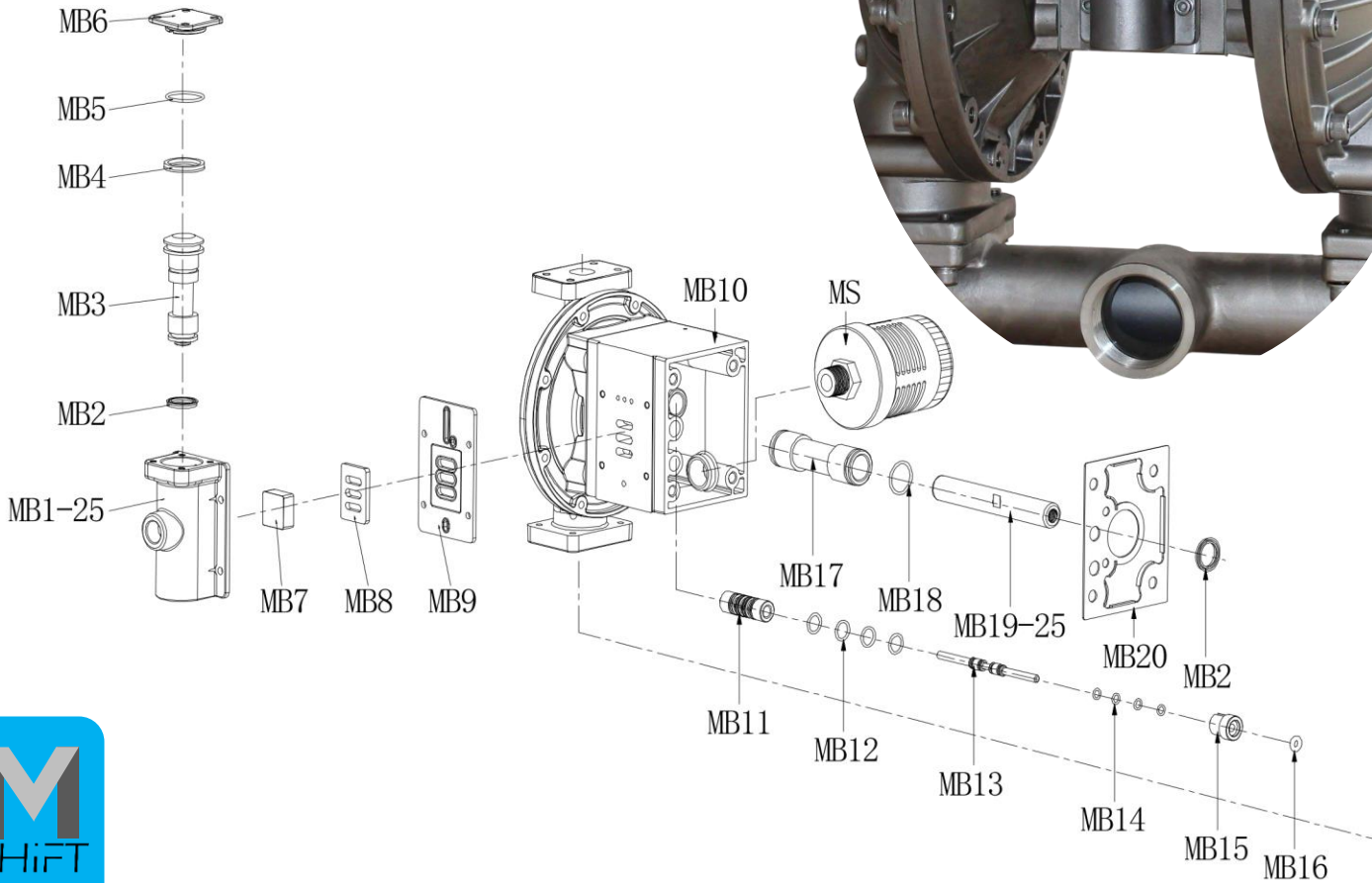
Material of Construction

Pump Part	Material
Pump body	AL, SS, PP, CI
Diaphragm	Santoprene (ST), Teflon (TF), Hytrel
Seat	Santoprene (ST), Teflon (TF), Hytrel
Centre block	SS

Weight

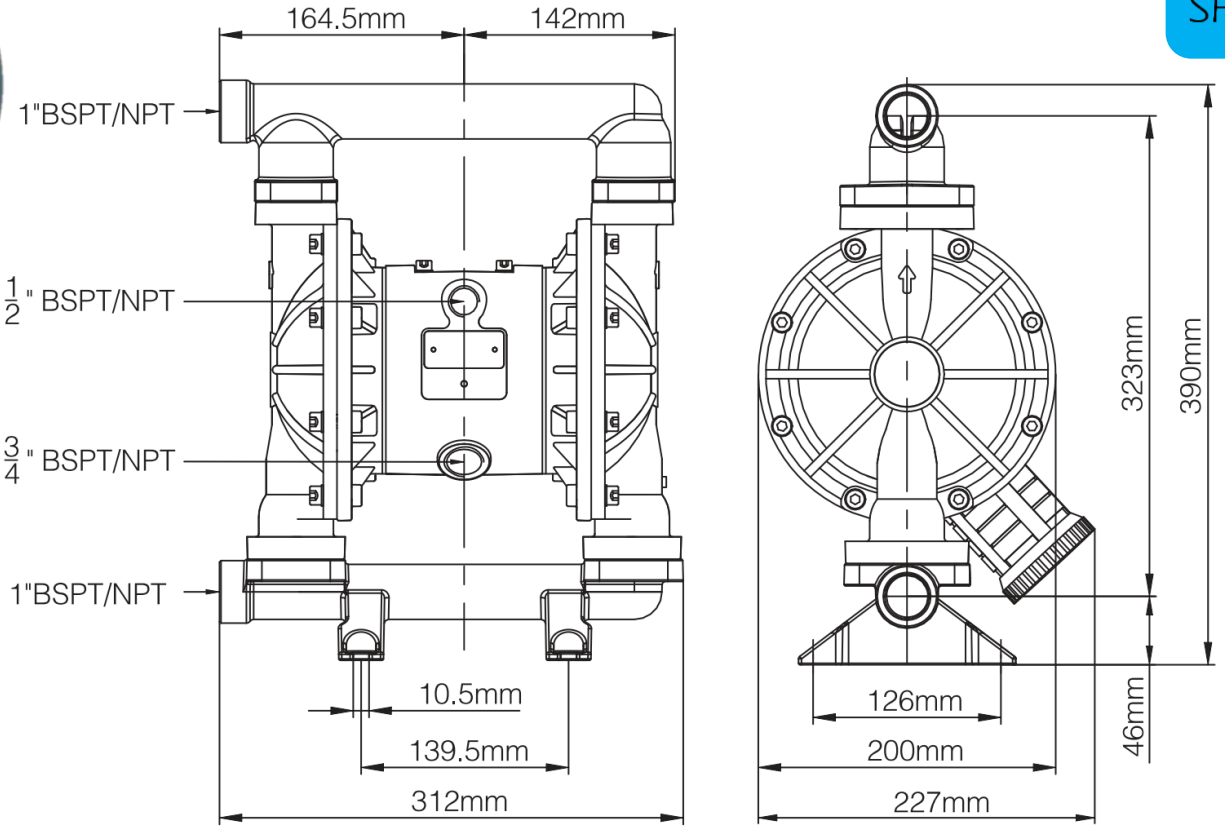
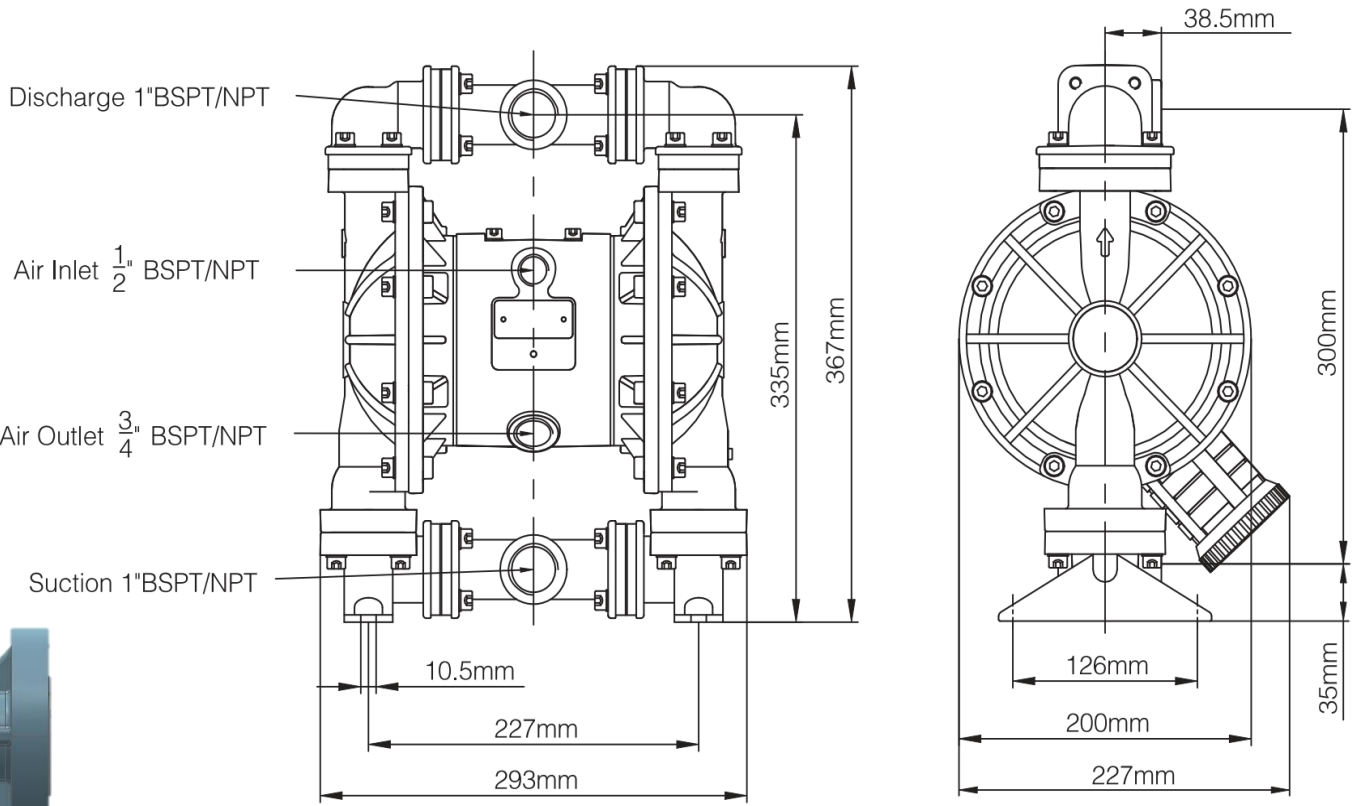
Pump type	Weight
Aluminium	18kg
Stainless	23kg

Part Numbers: Stainless centre

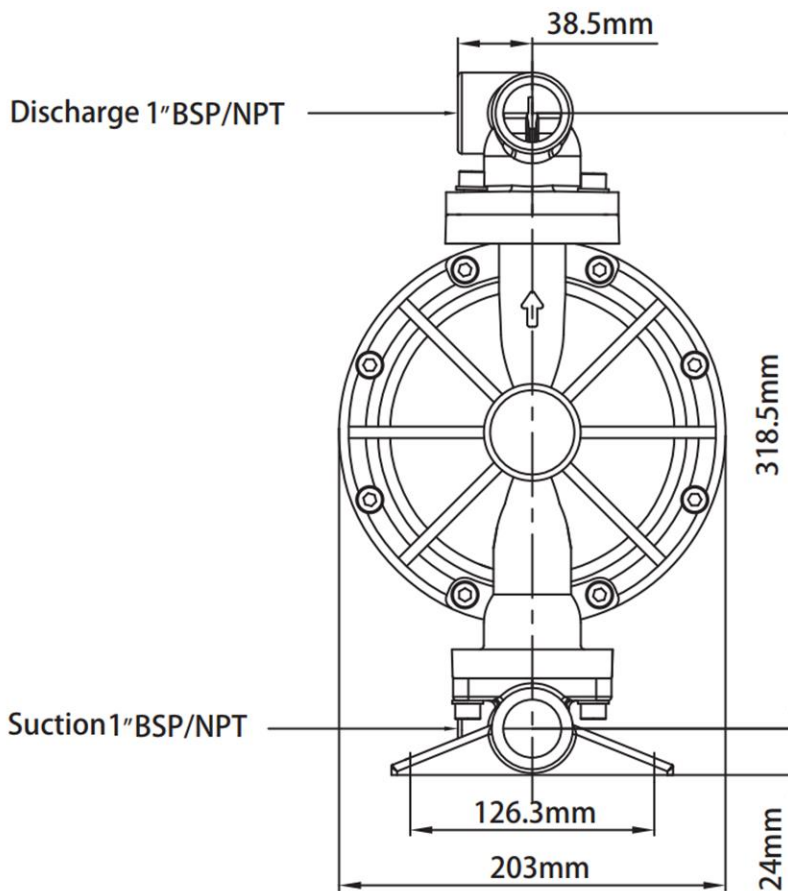
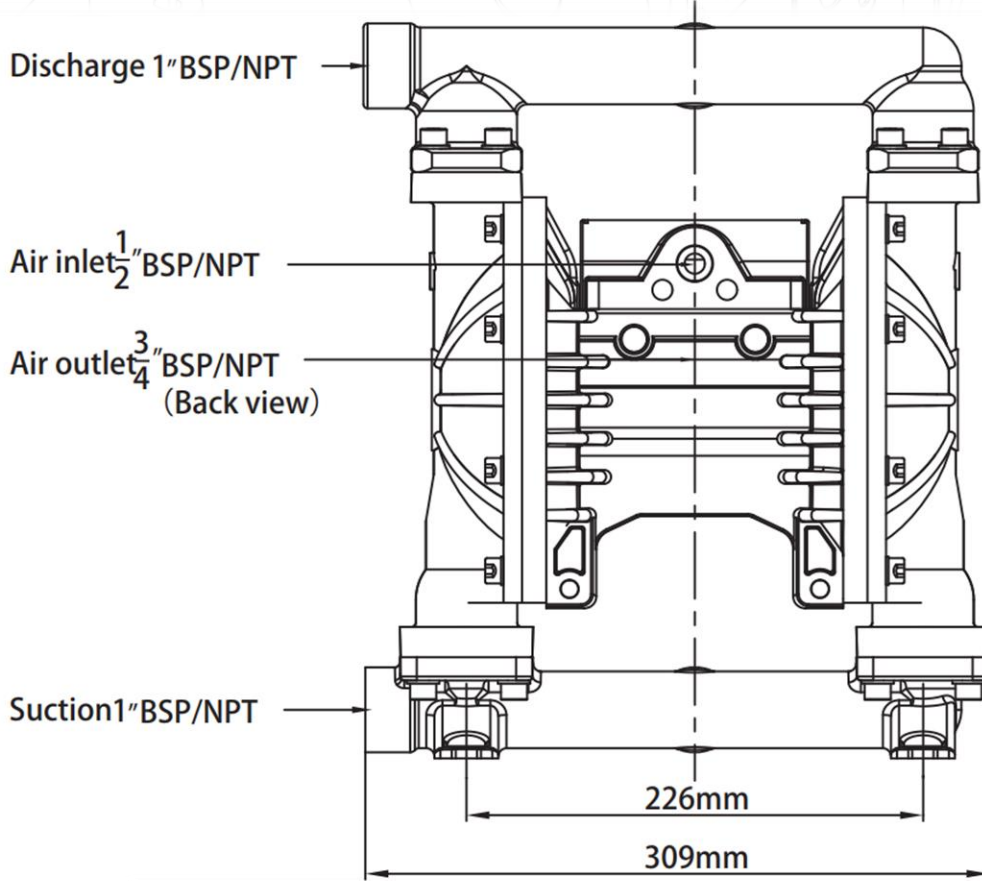


Part code	Name	Part code	Name
MB1-25-SS	Air valve housing	MB12-VT	Reversing valve O-Ring
MB2-VT	V-ring (Piston and rod)	MB13-SS	Reversing shaft
MB3-PM	Piston	MB14-PU	Shaft O-Ring
MB4-VT	Piston V-ring	MB15-PM	Locking plate
MB5-VT	Cap O-Ring	MB16-VT	Plate O-Ring
MB6-SS	Air valve cap	MB17-PM	Rod Bushing
MB7-CM	Pilot valve	MB18-VT	Rod bushing O-ring
MB8-CM	Valve plate	MB19-25-SS	Diaphragm Rod
MB9-ST	Air valve gasket	MB20-ST	Air chamber gasket
MB10-SS	Centre block	MS-PP	Muffler
MB11-PM	Reversing valve		

Dimensional Drawings: Aluminium



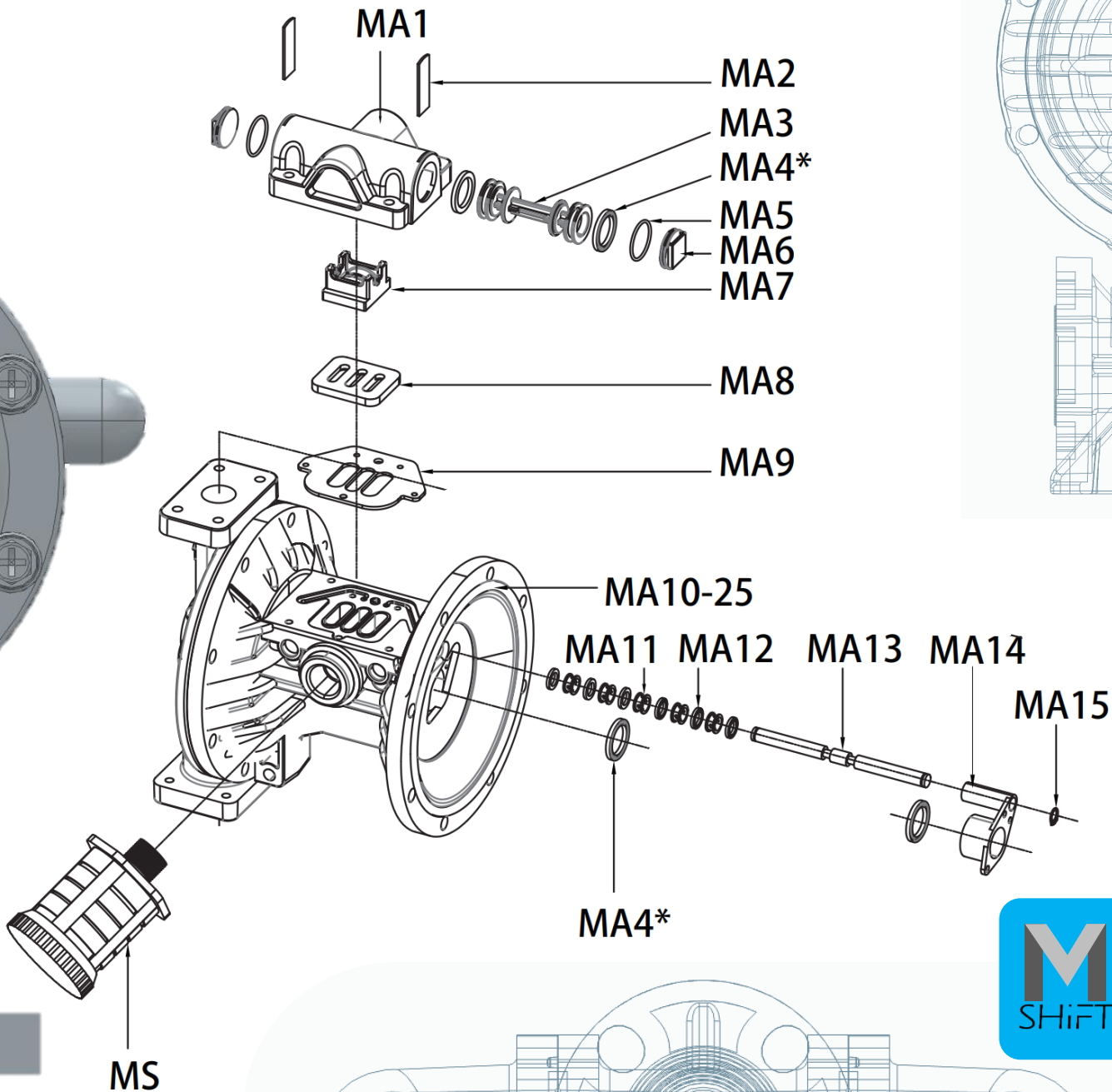
Dimensional Drawings: Stainless



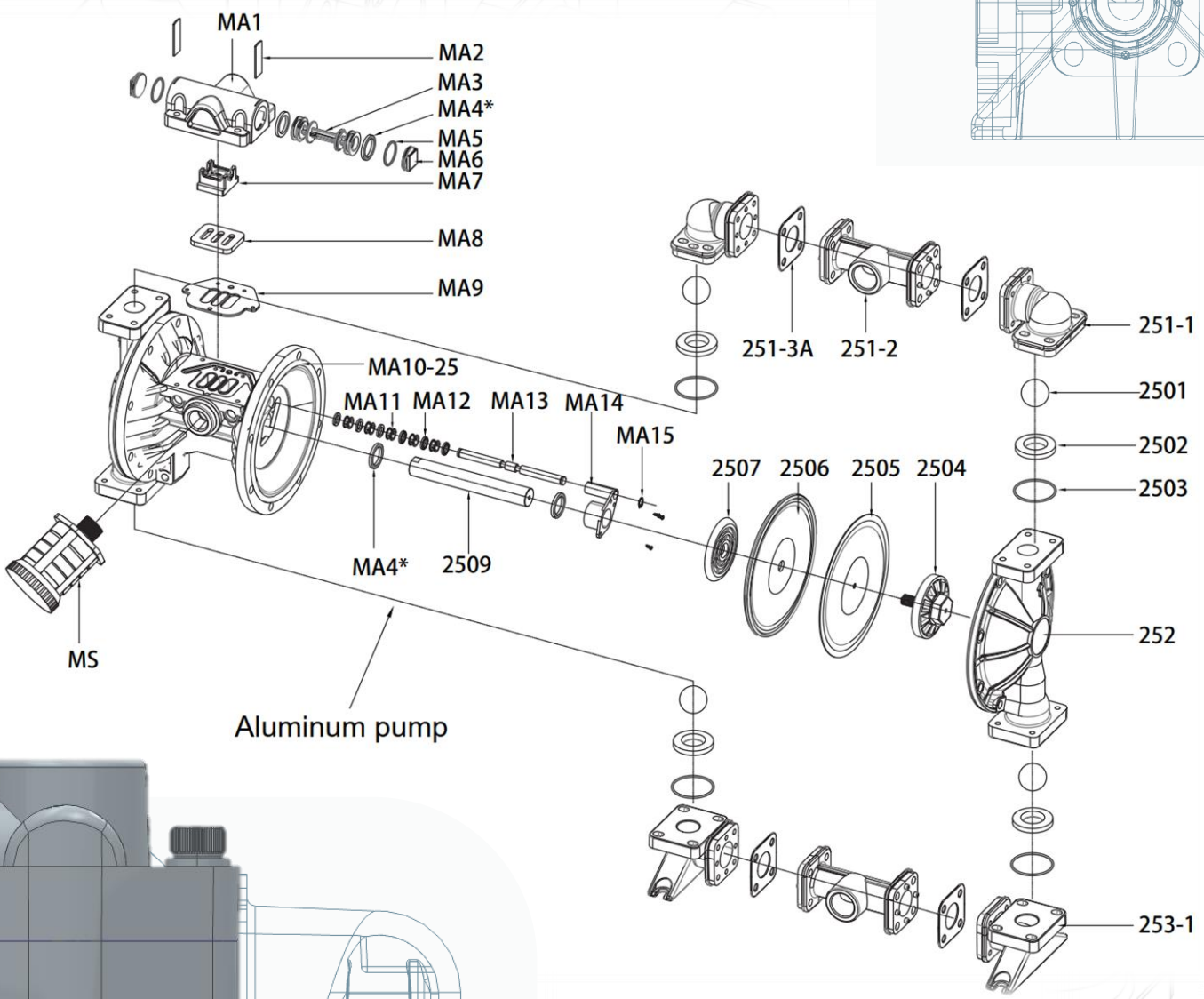
Part Numbers: Poly centre

Part code	Name
MA1-KV	Air valve housing
MA2-SS	Plug locking plate
MA3-PM	Piston
MA4-VT	V-ring
MA5-VT	Plug O-ring
MA6-KV	Plug
MA7-PM	Pilot valve
MA8-SS	Valve plate

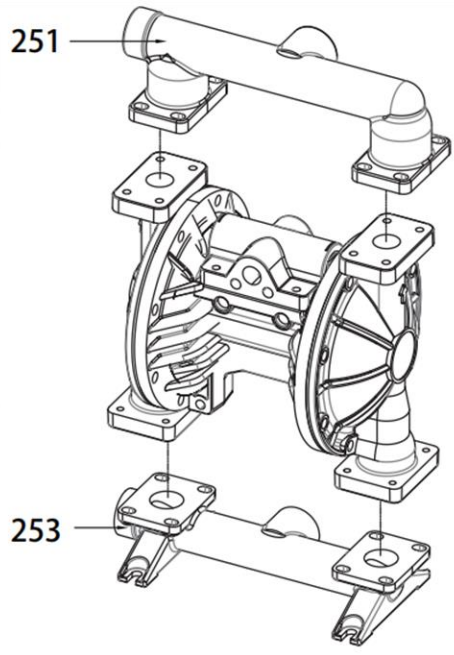
Part code	Name
MA9-ST	Air valve gasket
MA10-25-PP	Centre block
MA11-PM	Reversing valve
MA12-VT	Shaft O-ring
MA13-SS	Shaft
MA14-PM	Rod locking plate
MA15-SS	Snap ring
MS-PP	Muffler



Part Numbers: Poly centre



Aluminum pump



Stainless steel pump



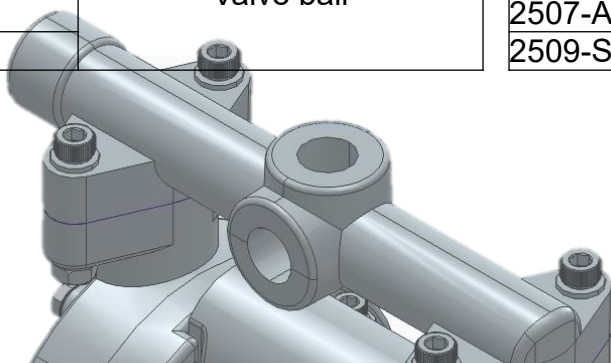
Part Numbers: Poly centre

Part code	Name
MA1-KV	Air valve housing
MA2-SS	Plug locking plate
MA3-PM	Piston
MA4-VT	V-ring
MA5-VT	Plug O-ring
MA6-KV	Plug
MA7-PM	Pilot valve
MA8-SS	Valve plate

Part code	Name
MA9-ST	Air valve gasket
MA10-25-PP	Centre block
MA11-PM	Reversing valve
MA12-VT	Shaft O-ring
MA13-SS	Shaft
MA14-PM	Rod locking plate
MA15-SS	Snap ring
MS-PP	Muffler

Part code	Name
251-SS	Discharge Manifold
251-LL	
251-PP	
251-KV	
251-1-PP	Upper Elbow
251-1-AL	
251-1-KV	
251-2-PP	TEE
251-2-AL	
251-2-KV	
251-3P-HY	
251-3P-ST	
251-3P-TF	
251-3A-HY	TEE Gasket (AL pump)
251-3A-ST	
251-3A-TF	
253-SS	Suction Manifold
253-LL	
253-PP	
253-KV	
253-1-PP	Bottom Elbow
253-1-AL	
253-1-KV	
252-KV	Fluid chamber
252-PP	
252-AL	
252-SS	
252-LL	Valve ball
2501-TF	
2501-ST	
2501-HY	
2501-BN	

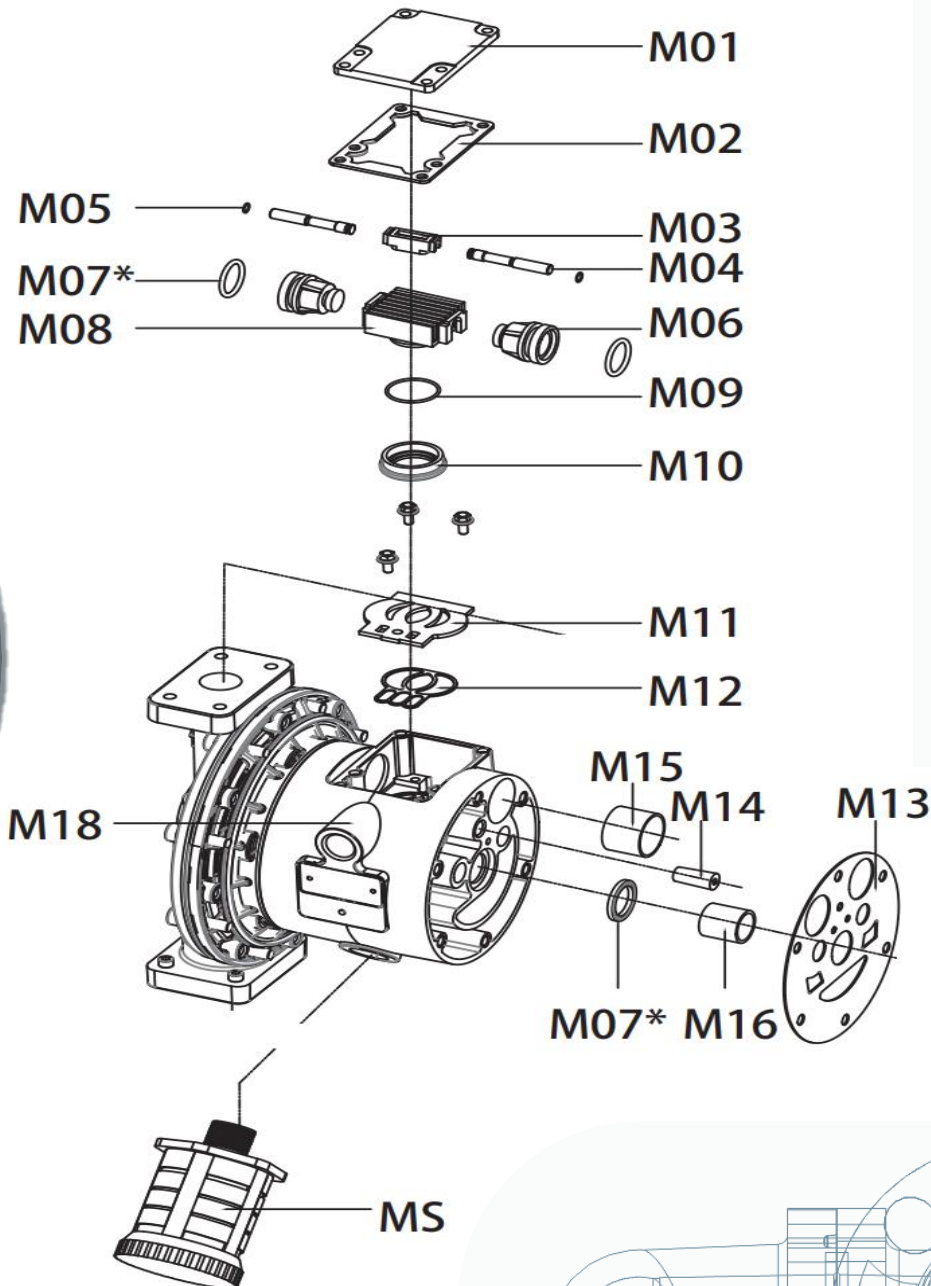
Part code	Name
2501-EP	Valve ball
2501-SS	
2501-LL	
2501-CM	
2502-PP	Valve seat
2502-AL	
2502-TF	
2502-ST	
2502-HY	
2502-BN	
2502-EP	
2502-VT	
2502-SS	Seat O-ring
2502-LL	
2503-TF	
2503-BN	Plate
2503-EP	
2503-VT	
2504-KV	
2504-PP	Teflon diaphragm
2504-AL	
2504-SS	
2504-LL	
2505-TF	
2506-ST	Rubber diaphragm
2506-HY	
2506-BN	
2506-EP	
2506-VT	
2506-GE	
2507-AL	Inner plate
2509-SS	Diaphragm Rod



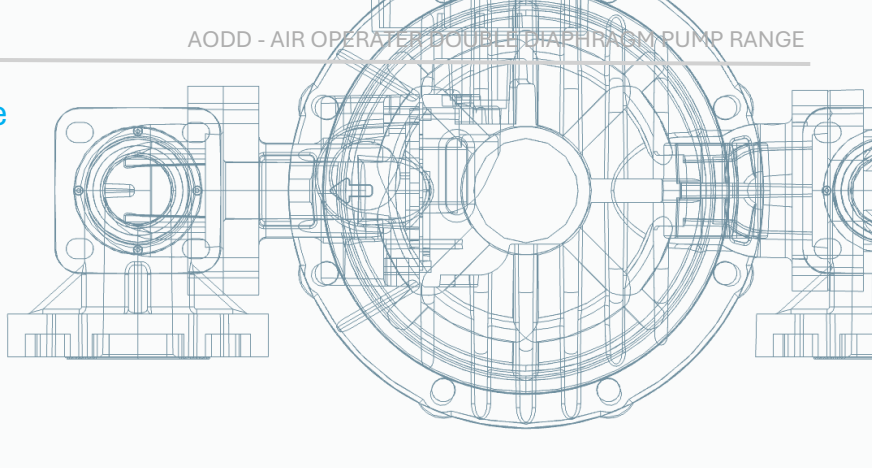
Part Numbers: Aluminium centre

Part code	Name
M01-AL	Air valve cap
M02-ST	Air valve cap gasket
M03-PM	Reversing switch
M04-SS	Reversing pin
M05-VT	Pin O-ring
M06-PM	Piston
M07-VT	V-ring
M08-AL	Upper pilot valve
M09-VT	Pilot valve O-ring

Part code	Name
M10-PM	Bottom Pilot valve
M11-SS	Valve plate
M12-ST	Valve plate gasket
M13-ST	Air chamber gasket
M14-PM	Pin bushing
M15-PM	Piston bushing
M16-PM	Rod bushing
M18-AL	Centre block
MS-PP	Muffler



Part Numbers: Aluminium centre



- M01
- M02
- M05
- M07*
- M08
- M03
- M04
- M06
- M09
- M10

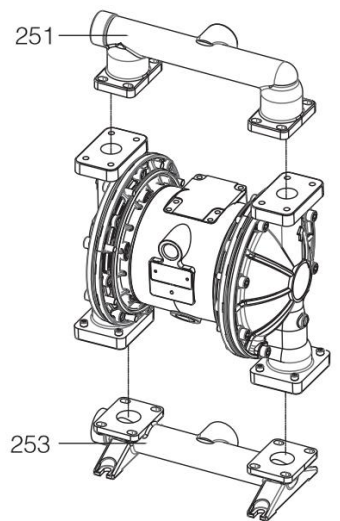
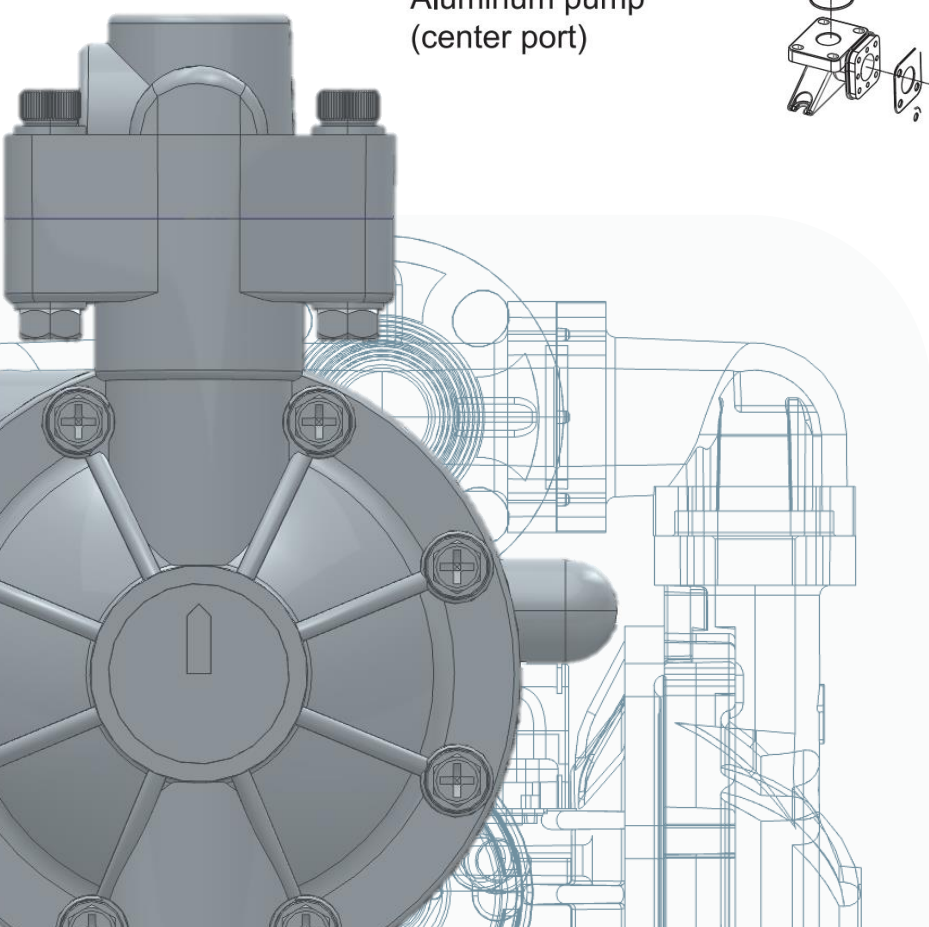
- M11
- M12
- M13
- M14
- M15
- M16
- M18
- M07*

- 251-1
- 251-2
- 251-3A
- 2501
- 2502
- 2503

- 254
- 2509
- 2507
- 2506
- 2505
- 2504
- 252
- 253-1

MS

Aluminum pump
(center port)



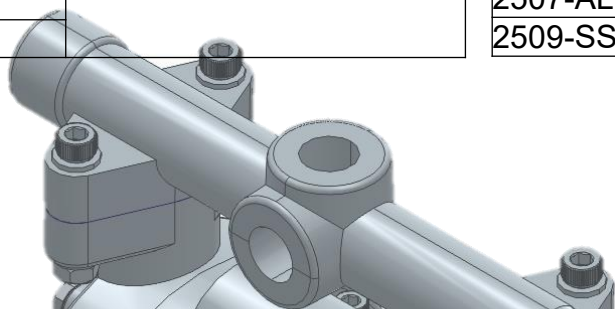
Part Numbers: Alumium centre

Part code	Name
M01-AL	Air valve cap
M02-ST	Air valve cap gasket
M03-PM	Reversing switch
M04-SS	Reversing pin
M05-VT	Pin O-ring
M06-PM	Piston
M07-VT	V-ring
M08-AL	Upper pilot valve
M09-VT	Pilot valve O-ring

Part code	Name
251-SS	Discharge Manifold
251-LL	
251-PP	
251-KV	
251-1-PP	Upper Elbow
251-1-AL	
251-1-KV	
251-2-PP	TEE
251-2-AL	
251-2-KV	
251-3P-HY	TEE Gasket (Plastic pump)
251-3P-ST	
251-3P-TF	
251-3A-HY	TEE Gasket (AL pump)
251-3A-ST	
251-3A-TF	
253-SS	Suction Manifold
253-LL	
253-PP	
253-KV	
253-1-PP	Bottom Elbow
253-1-AL	
253-1-KV	
252-KV	Fluid chamber
252-PP	
252-AL	
252-SS	
252-LL	Air chamber
254-AL	
2501-TF	Valve ball
2501-ST	
2501-HY	
2501-BN	

Part code	Name
M10-PM	Bottom Pilot valve
M11-SS	Valve plate
M12-ST	Valve plate gasket
M13-ST	Air chamber gasket
M14-PM	Pin bushing
M15-PM	Piston bushing
M16-PM	Rod bushing
M18-AL	Centre block
MS-PP	Muffler

Part code	Name
2501-EP	Valve ball
2501-SS	
2501-LL	
2501-CM	
2502-PP	Valve seat
2502-AL	
2502-TF	
2502-ST	
2502-HY	
2502-BN	
2502-EP	
2502-VT	
2502-SS	Seat O-ring
2502-LL	
2503-TF	
2503-BN	Plate
2503-EP	
2503-VT	
2504-KV	
2504-PP	Teflon diaphragm
2504-AL	
2504-SS	
2504-LL	
2505-TF	Rubber diaphragm
2506-ST	
2506-HY	
2506-BN	
2506-EP	
2506-VT	Inner plate
2506-GE	
2507-AL	
2509-SS	Diaphragm Rod



The background of the entire page is a technical line drawing of a complex mechanical assembly, likely a pump or motor. The drawing is rendered in a light blue color and is centered on a white background. The assembly features a central circular component with a flange and a central shaft, surrounded by various housing and support structures. The drawing is a detailed cross-section, showing internal components and their relationships.

MODULUS

RANGE

Powered by:  **AQS**
INDUSTRIES