



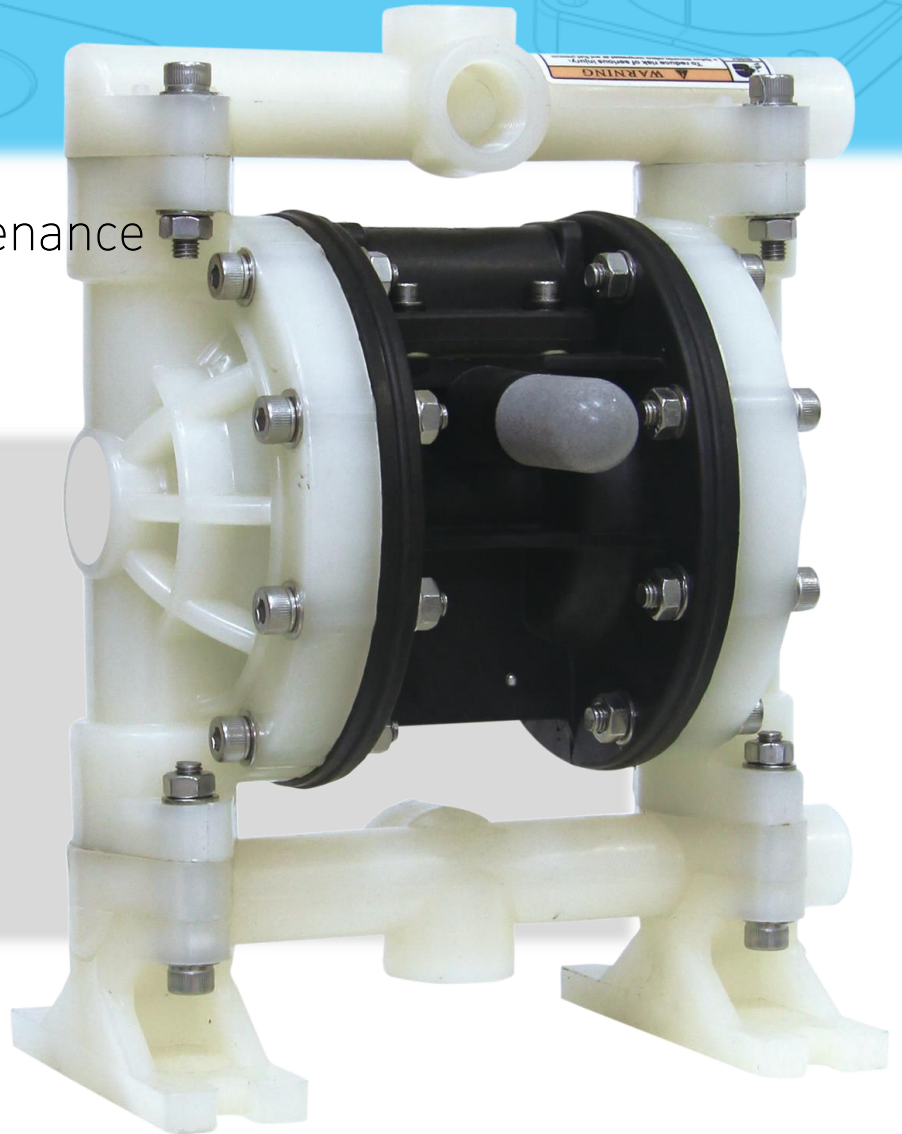
SHiFT[®]

MODULUS

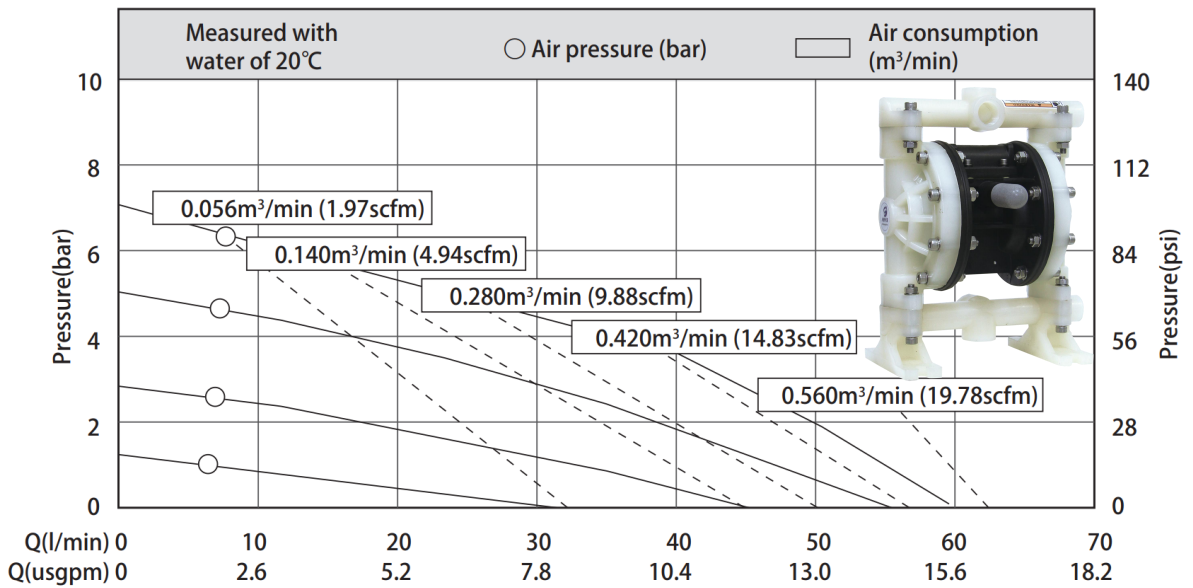
Care and Maintenance
Manual

M15

Bolted
Plastic
Pumps



Performance Curve



Technical Parameters

Parameter	Unit	Value
Suction Lift - dry	mwc	4
Suction lift - wet	mwc	7.6
Solids size	mm	2.5
Air inlet	inch	3/8
Max air inlet pressure	bar	8.4

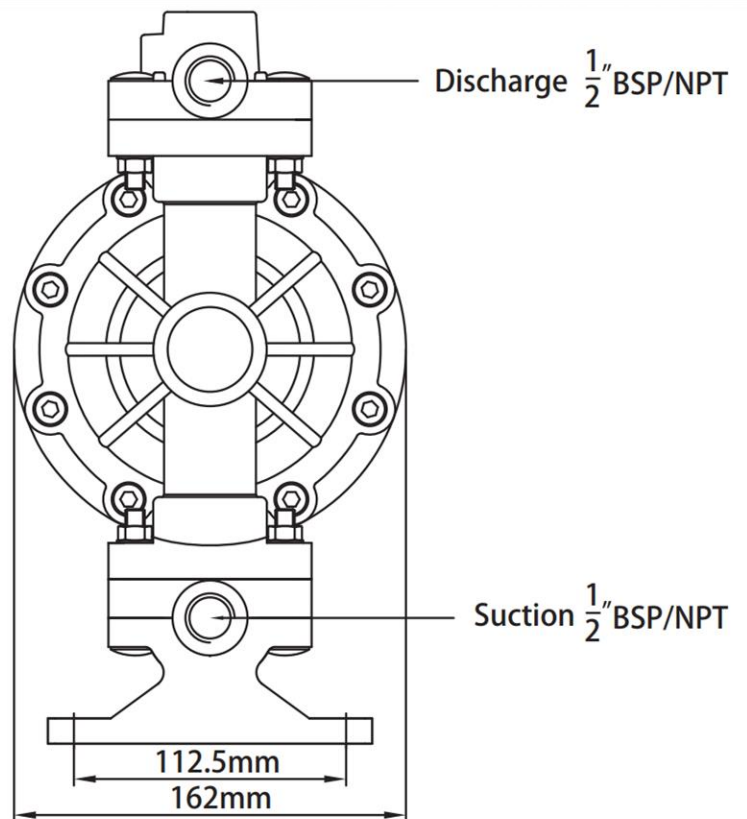
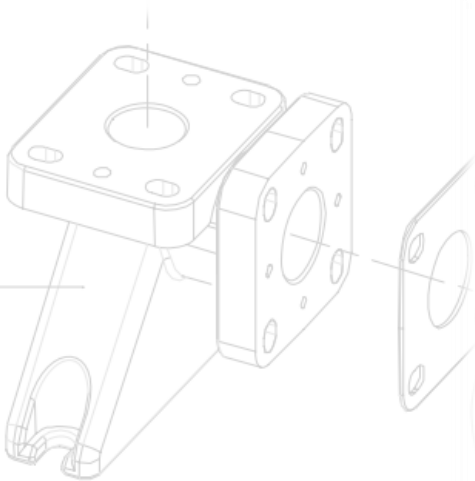
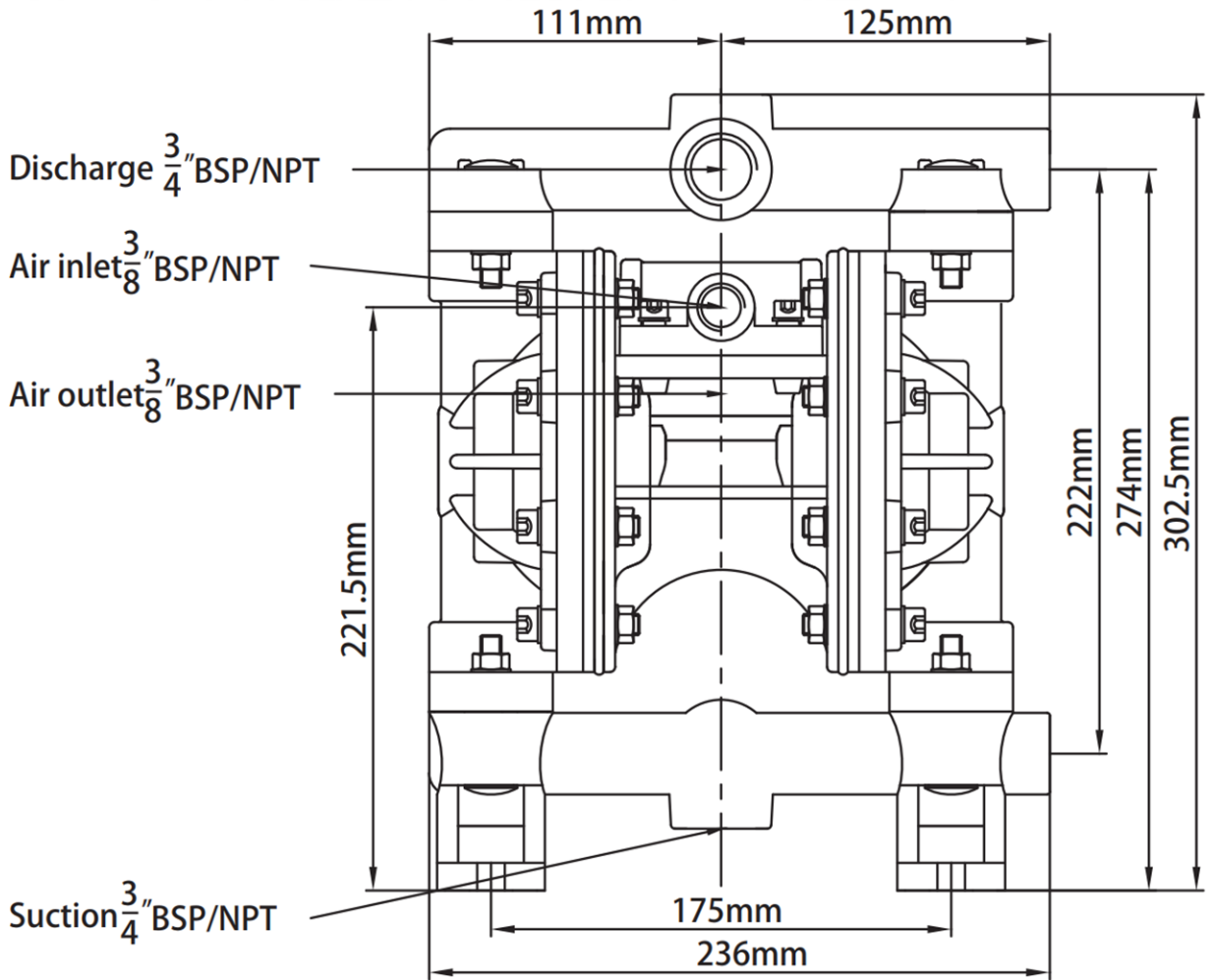
Material of Construction

Pump Part	Material
Pump body	PP, PVDF
Diaphragm	Santoprene (ST), Teflon (TF), Hytrel
Seat	PP, PVDF
Centre block	PP

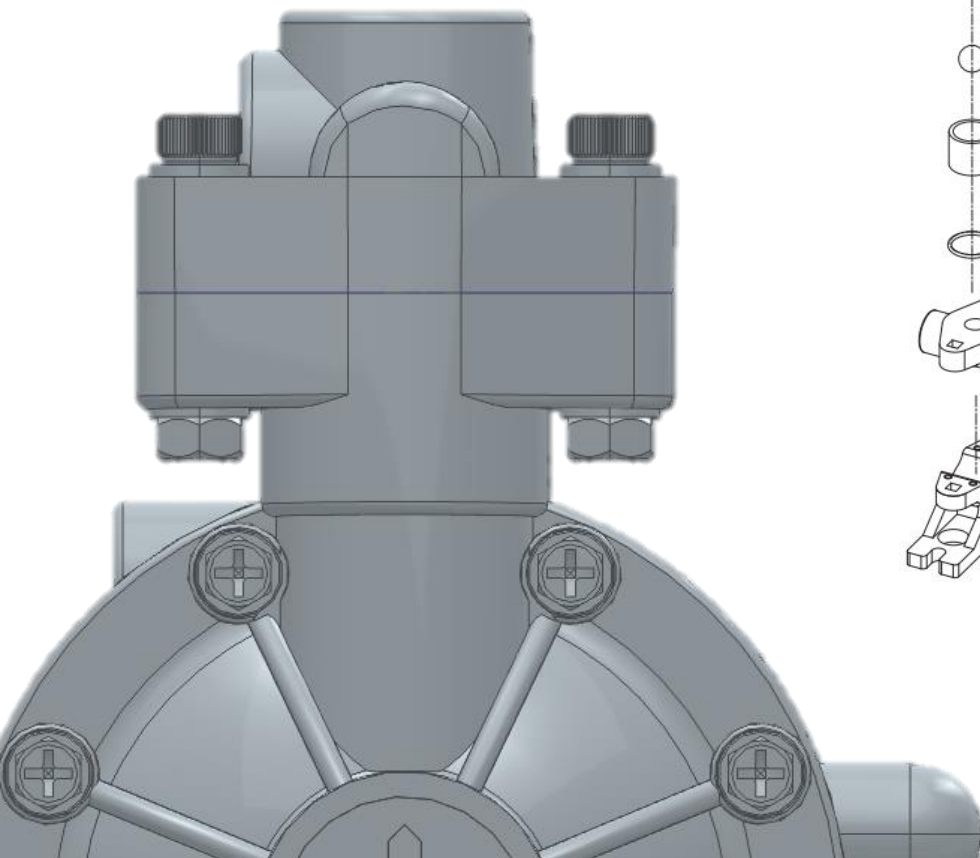
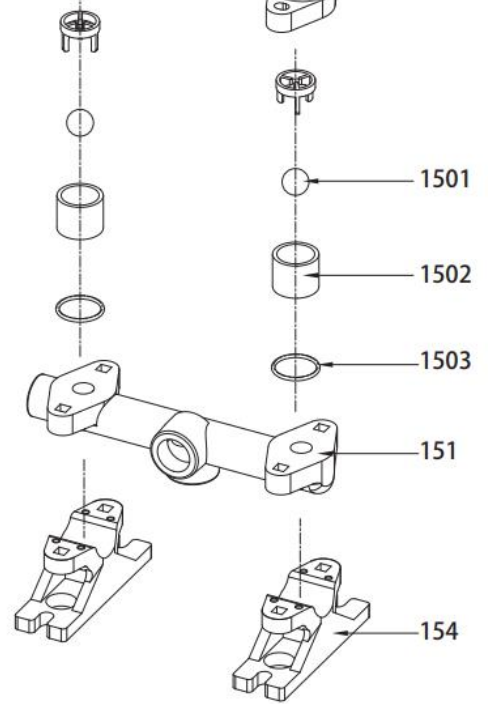
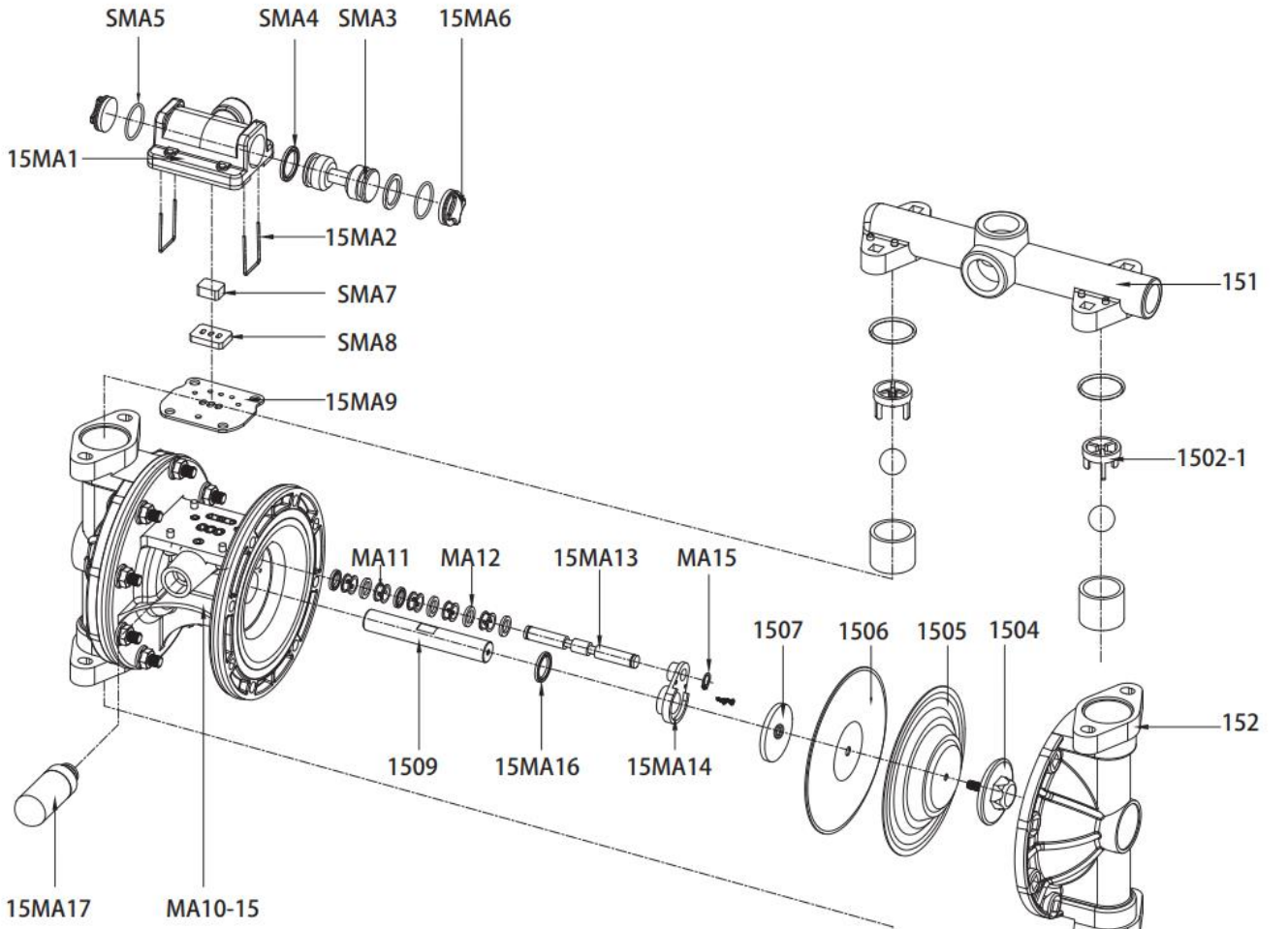
Weight

Pump type	Weight
Polypropylene	3.5kg
PVDF	4.5kg

Dimensional Drawings



Part Numbers



Part Numbers

Part code	Name
15MA1-KV	Air valve housing
15MA2-SS	Locking pin
SMA3-PM	Piston
SMA4-VT	Piston V-ring
SMA5-VT	Plug O-ring
15MA6-KV	Plug
SMA7-CM	Pilot valve
SMA8-CM	Valve plate
15MA9-ST	Air valve gasket

Part code	Name
MA10-15-PP	Center block
MA11-PM	Reversing valve
MA12-VT	Shaft O-ring
15MA13-SS	Reversing shaft
15MA14-PP	Locking plate
MA15-SS	Snap ring
15MA16-VT	Rod V-ring
15MA17-PE	Muffler

Part code	Name
151-PP	Manifold
151-AL	
151-KV	
151-PM	
151-SS	
151-LL	
152-PP	Fluid chamber
152-AL	
152-KV	
152-PM	
152-SS	
152-LL	
154-PP	Footing
154-SS	
1501-TF	Valve ball
1501-ST	
1501-SS	
1501-LL	
1502-PP	Valve seat
1502-KV	
1502-PM	
1502-SS	
1502-LL	

Part code	Name
1502-1-PP	Baffle
1502-1-KV	
1502-1-PM	
1502-1-SS	
1502-1-LL	
1503-TF	Seat O-ring
1503-BN	
1503-EP	
1503-VT	Plate
1504-PP	
1504-KV	
1504-SS	
1504-LL	Teflon diaphragm
1505-TF	
1506-ST	Rubber diaphragm
1506-HY	
1506-BN	
1506-EP	
1506-VT	Inner plate
1507-SS	
1509-SS	Diaphragm rod

SMA3,4,5,7,8 of MK06, MK15 are the same, MA11,12,15 of all PP centre block are the same Rod O-ring of MK06 also same as MA12

The background of the entire page is a technical line drawing of a complex mechanical assembly, likely a pump or motor. The drawing is rendered in a light blue color and is centered on a white background. The assembly features a central circular component with a flange and a central shaft, surrounded by various housing and support structures. The drawing is a detailed cross-section, showing internal components and their relationships.

MODULUS

RANGE

Powered by:  **AQSI**
INDUSTRIES