

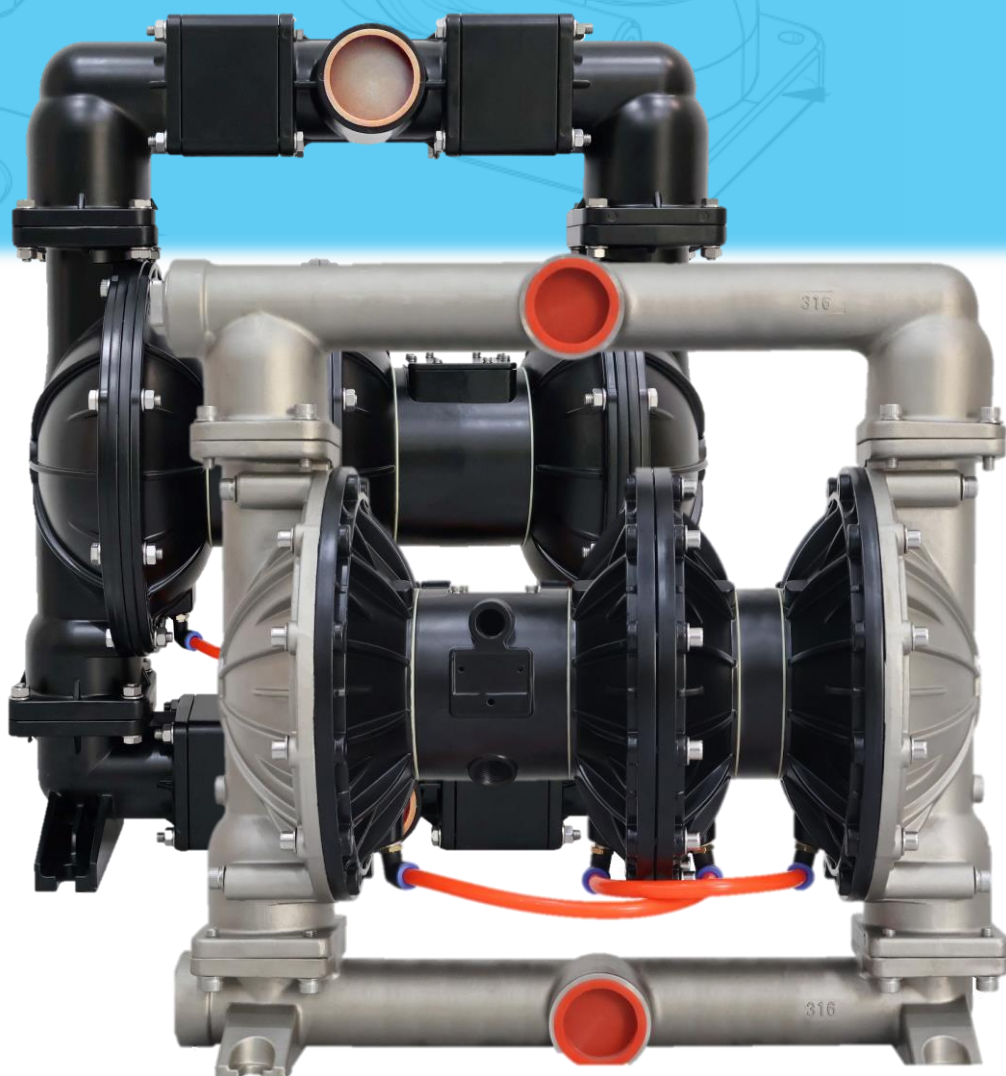


SHiFT[®]

MODULUS

Data Sheet

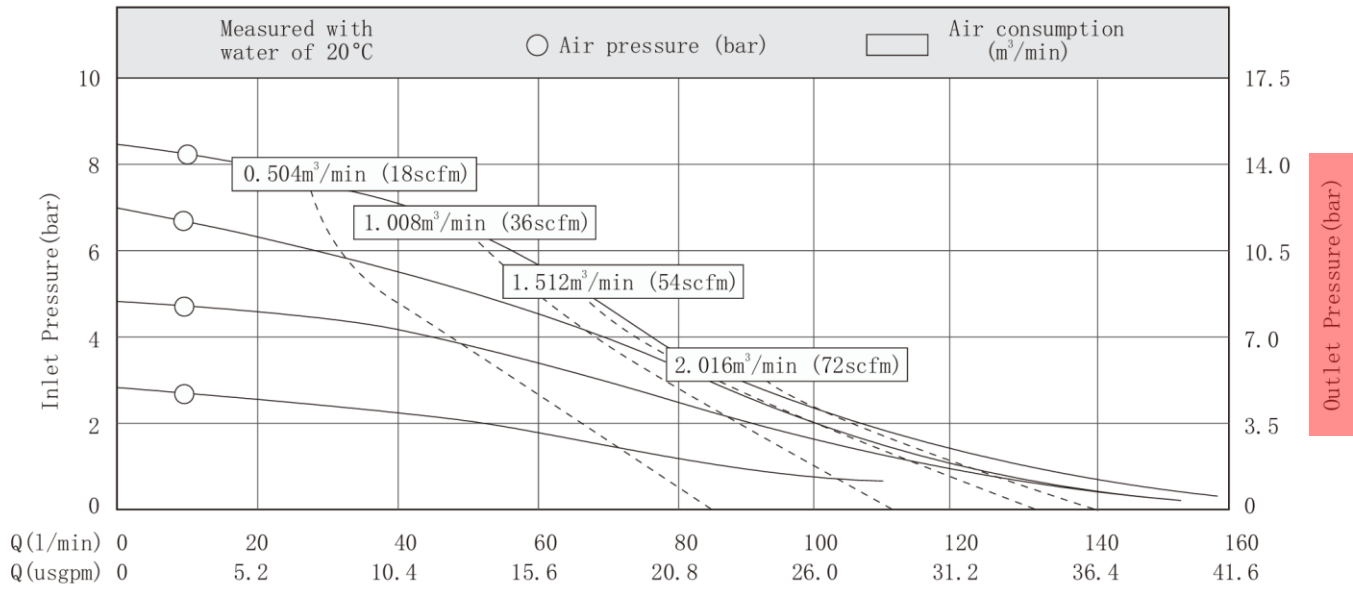
Full
Flow
High
Pressure
Pumps



M25HP



Performance Curve



Technical Parameters

Parameter	Unit	Value
Suction Lift - dry	mwc	4
Suction lift - wet	mwc	8
Solids size	mm	4
Air inlet	inch	1/2
Max air inlet pressure	bar	8.4

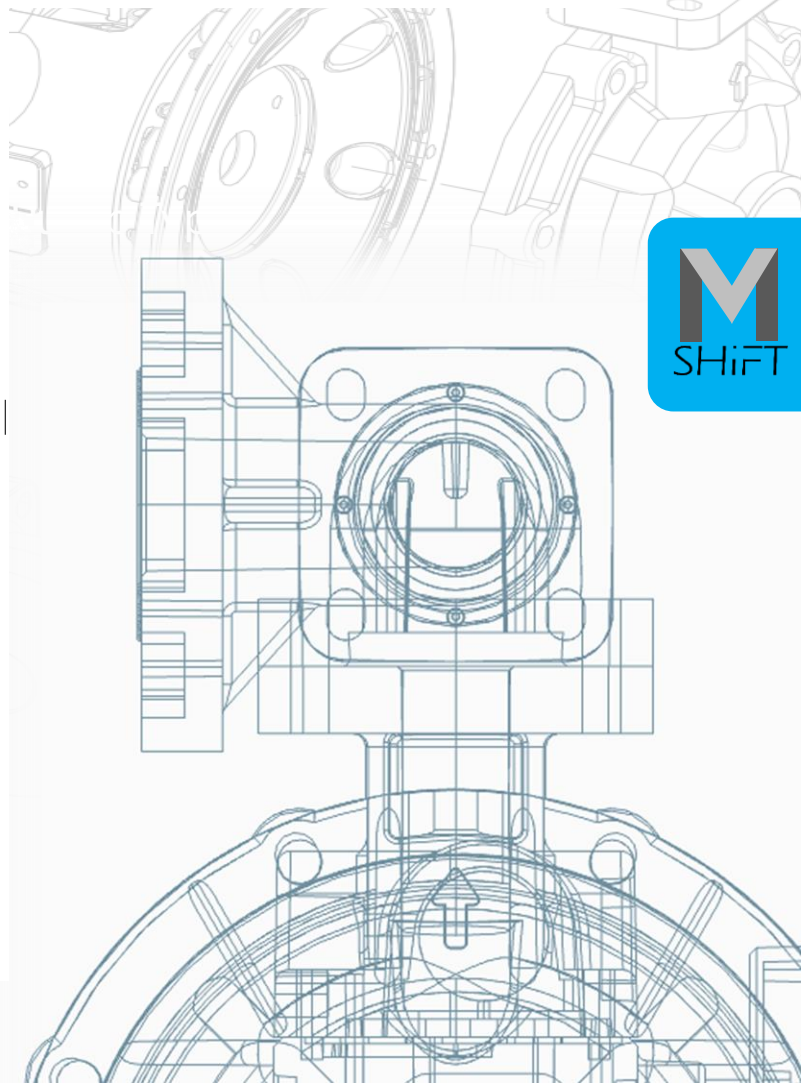
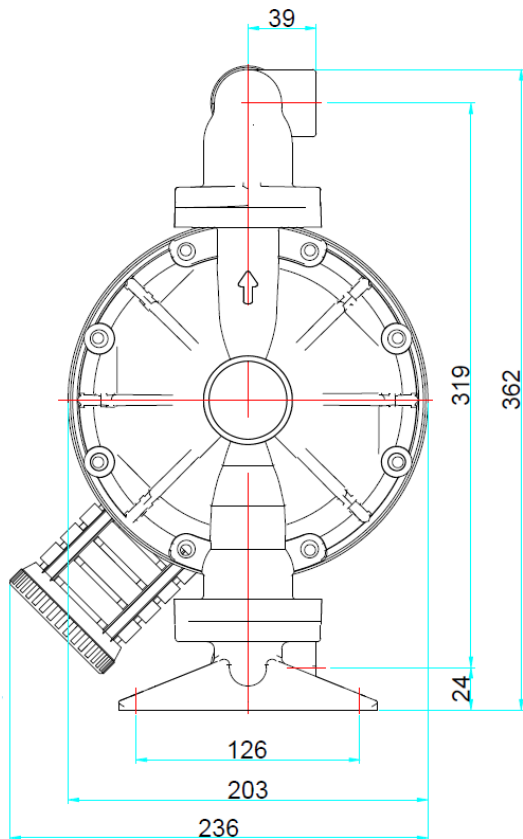
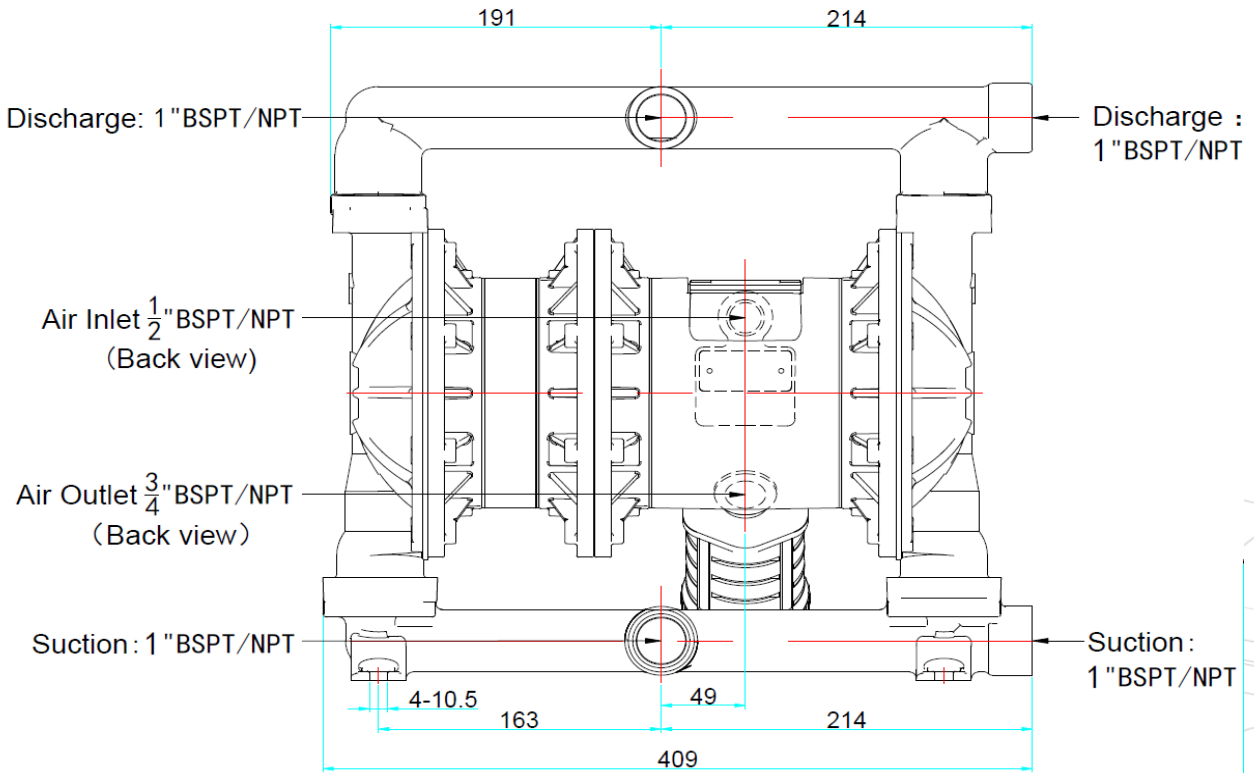
Material of Construction

Pump Part	Material
Pump body	SS, AL
Diaphragm	Two-piece Teflon
Seat	SS, AL
Centre block	AL

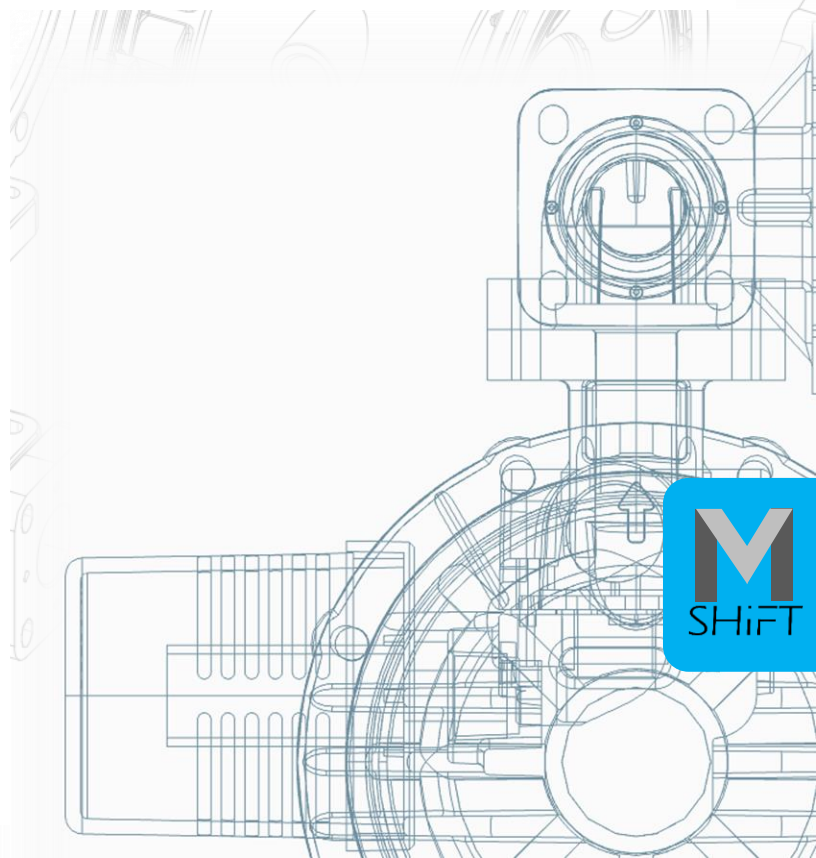
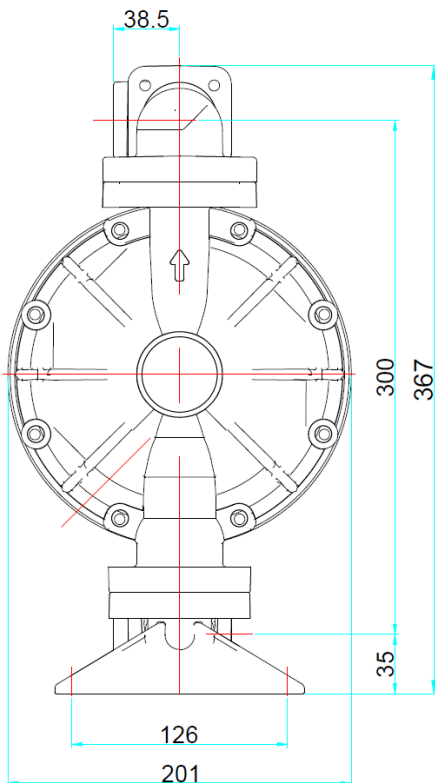
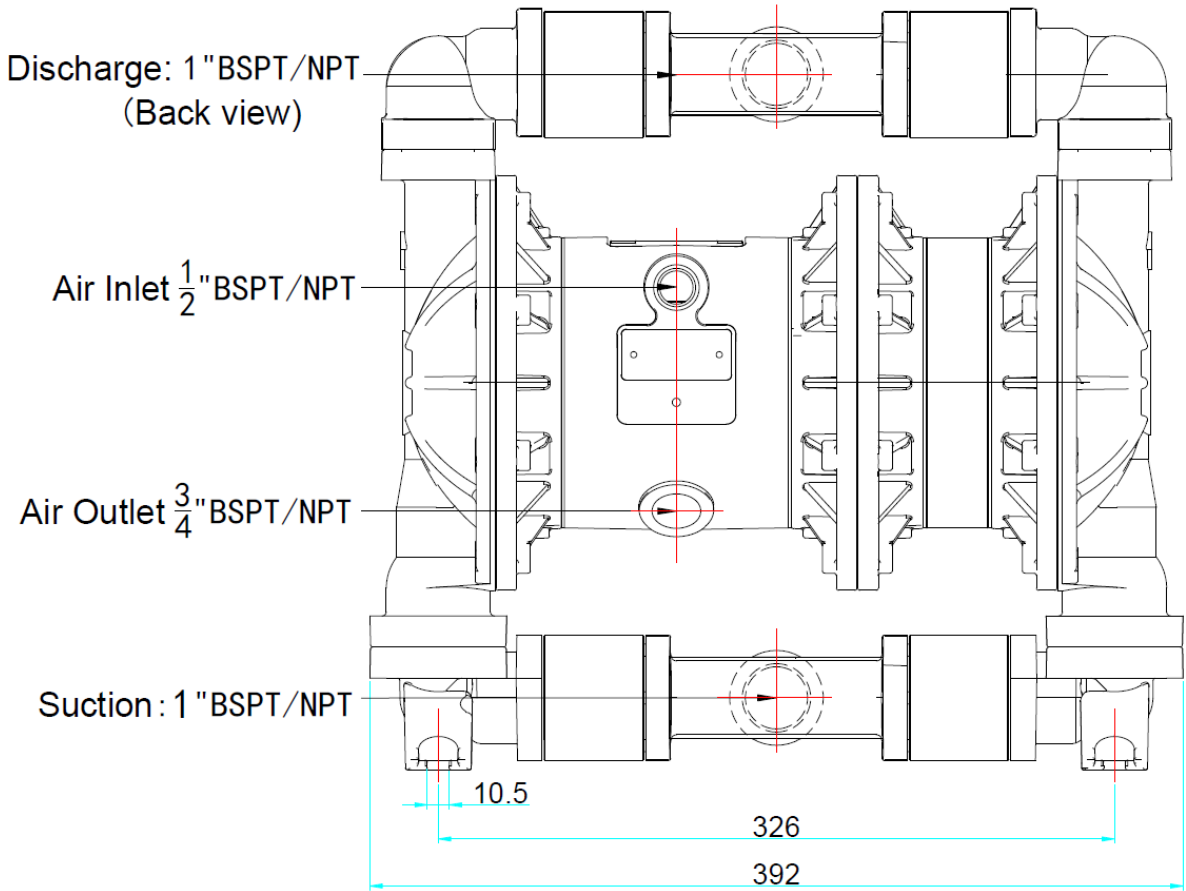
Weight

Pump type	Weight
Stainless 316	21kg
Aluminium	15kg

Dimensional Drawings: Stainless



Dimensional Drawings: Aluminium



MODULUS

RANGE

Powered by:

Powered by:  **AQS**
INDUSTRIES